

QUALI-SAN F&B

Single or multicartridge sanitary filter



Single or multicartridge sanitary filter



Description

QUALISAN F&B models of the QUALI-FILTRES range are single or multi-layer filter bodies designed for liquid filtration applications in the food industry. For pharmaceutical applications, consult the QUALI-SAN PHARMA.

All parts in contact with the liquid are made of 316L stainless steel.

Characteristics & benefits

- From 1 to 60 cartridges of type code 7 (SOE - 226,fin) and 8 (SOE - 222,fin) and of lengths 10", 20", 30" and 40"
- Closing by clamp for an easy handling with models from 1 to 8 cartridges. Closing by tilting bolts with models from 12 cartridges
- Fully drainable design. Suitable for CIP (Cleaning In Place) and SIP (Sterilization In Place) systems
- Comes with adjustable feet for easy installation and positioning of Inlet/ Outlet connections (from 3 cartridges)
- Economical filter housing while maintaining a high level of quality and performance.
- Inlet/outlet connections: clamp, DIN 11851, welded, flanges, SMS, Macons (others on request)
- Easy installation with adjustable inlet/outlet connections (from 3 cartridges)
- Adapted design for integration on a filtration stand type skid or pallet.
- Presence or absence of drain connection: Triclamp 1,5" and DIN11851 DN25
- Triclamp or DIN11851 DN25 vent connection
- Internal mechanical polish finish Ra<0.8µm (32 µin) as standard. Ra<0.4 µm (16 µin) or electropolished finish available on request
- Exterior mirror polish finish.
- Different seals available: silicone, EPDM, FPM (Viton®), FEP + silicone.
- 100% of the cartridge nests are tested and verified before shipping.
- PED 2014/68/EU: liquid group 2 according to code EN13445 (see table service conditions) - special versions available on request
- ATEX 2014/34/EU: Group 2 - Category 2 - gases and dusts - Gas group IIC - zone 1 and 21.
- Complies with EU regulation 1935/2004 (food contact).
- Documentation provided: user manual, declaration of conformity.

Available options



Pressure gauge + valve + fitting Staubli Ref : PNB-GAUGE-1.5-STAU8



Purge valve Ref : PNB-BALL-VALV



Pressure gauge + verre de lecture + 2 valves + 2 fittings Staubli ref.: PNB-GAUGE-2SANV-J



Sampling valve ref.: PNB-SAMP-VALV

Certificates available upon request

- FDA gaskets: certificate of conformity according to EN10204 2.1
- Basic material: certificate according to EN 10204 3.1
- Intermediate material: certificate according to EN 10204 3.1
- Hydraulic test certificate according to EN 10204 3.1
- Surface roughness certificate according to EN 10204 3.1
- Certificate of order conformity according to EN 10204 3.1
- Final inspection certificate according to EN 10204 3.1

Conditions of use

According to the standard 2014/68/EU

	State	Temperature	Max pressure
Non-hazardous fluid	Liquid	40°C	10 bar
Non-hazardous fluid	Liquid	150°C	4 bar

ATEX regulations: II 2 G Ex h IIC T3 Gb and II 2 G Ex h IIC 150°C Db

ORDER REFERENCE

Example :



A / Filter body size

Code	Height
10	10"
20	20"
30	30"
40	40"

B / Number of cartridges

Code	Number
1	1 cartridge
3	3 cartridges
5	5 cartridges
8	8 cartridges
12	12 cartridges
18	18 cartridges
24	24 cartridges
30	30 cartridges
36	36 cartridges
48	48 cartridges
60	60 cartridges

C / Type of inlet/outlet connection

Code	Material
D	Male union DIN 11851
R	Clamp fitting
W	Weld-on tips
FE	Flange EN 1092-1
FB	Flange EN 11864-2
S	SMS
M	Macon

D / Sizes of inlet/outlet connection

Code	Dimensions	Standard	Upon request
25	DN 25	1 cartridge	3 cartridges
40	DN 40	3 cartridges	1 - 5 - 8 cartridges
50	DN 50	5-8 cartridges	12 cartridges
65	DN 65	12 - 18 - 24 cartridges	8 - 30 cartridges
80	DN 80	30 cartridges	8 - 12 - 18 - 24 cartridges
100	DN 100	36 - 48 - 60 cartridges	12 - 18 - 24 - 30 cartridges
125	DN 125	-	24 - 30 - 36 - 48 - 60 cartridges
150	DN 150	-	30 - 36 - 48 - 60 cartridges

E / Vent connection type

Code	Type
R	Clamp TC 1.5"
B	DIN 11851 DN25

F / Type of draining connection

Code	Type
0	No draining
R	Clamp TC 1.5"
B	DIN 11851 DN26

G / Roughness

Code	Description
R08	Mechanical polishing Ra < 0.8 µm
R04	Mechanical polishing Ra < 0.4 µm
E	Electropolishing

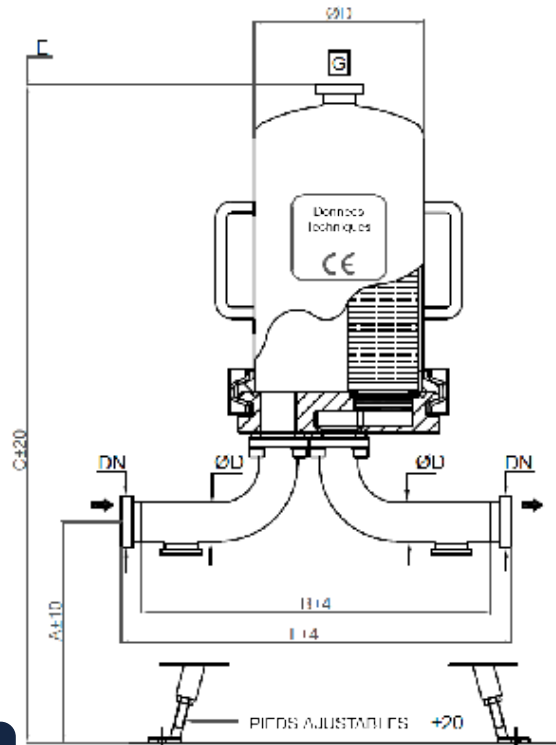
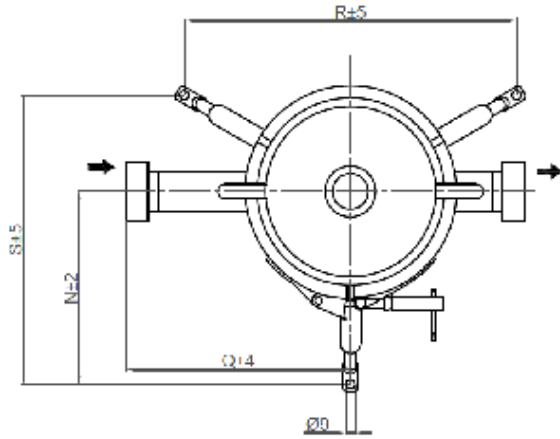
H / Cartridge type

Code	Type
7	SOE cartridge: single opening with 2 O-rings 2.226. + bayonet and point closure at the other end
8	SOE cartridge: single opening with external 222 O-rings, other end flat

I / Seal

Code	Type
S	Silicone
E	EPDM
V	FPM (VITON®)
P	FEP + Silicone

DIMENSIONS (mm)

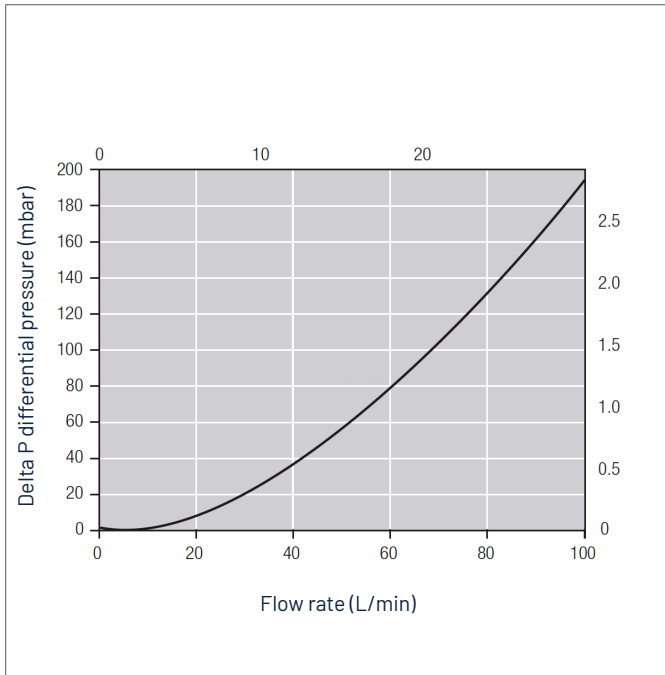


Plans available on request according to fittings

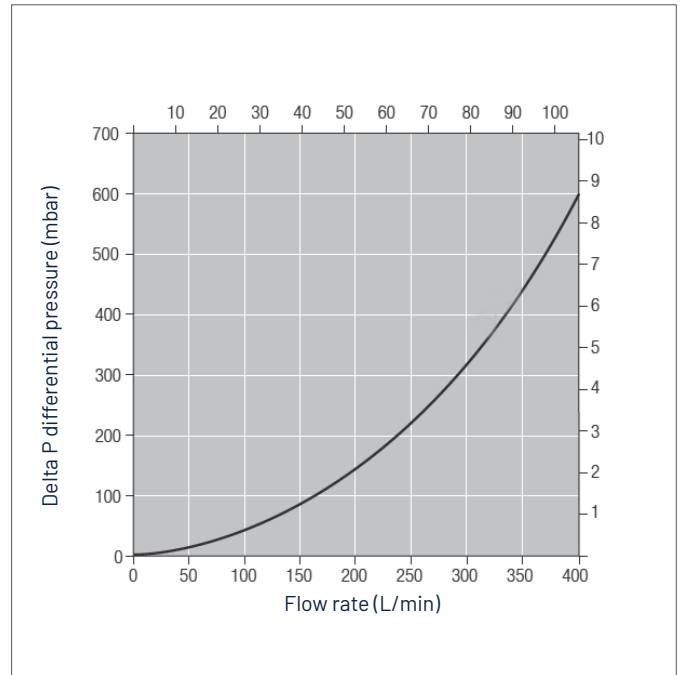
Number of cartridges x Height	R	S	N	C	A	L	Ø	Volume	PED category
01 x 10"	339	326	207	790	375	269	154	3.0	4.3
01 x 20"	339	326	207	1040	375	269	154	4.8	4.3
01 x 30"	339	326	207	1290	375	269	154	6.7	I
01 x 40"	339	326	207	1540	375	269	154	8.6	I
03 x 10"	357	310	206	816	345	385	223	7.3	I
03 x 20"	357	310	206	1065	345	385	223	12.6	I
03 x 30"	357	310	206	1314	345	385	223	17.8	I
03 x 40"	357	310	206	1564	345	385	223	23.1	II
05 x 30"	400	347	231	1325	315	445	263	29.1	II
08 x 30"	448	388	259	1346	315	471	289	49.7	II
12 x 30"	425	410	279	1430	326	573	225	88	II
18 x 30"	505	480	304	1450	325	589	225	115	III
24 x 30"	465	455	-	1470	318	643	264	151	III
30 x 30"	550	550	-	1500	292	765	323	235	III

TYPICAL PRESSURE DROPS DEPENDING ON FLOW RATE (mm)

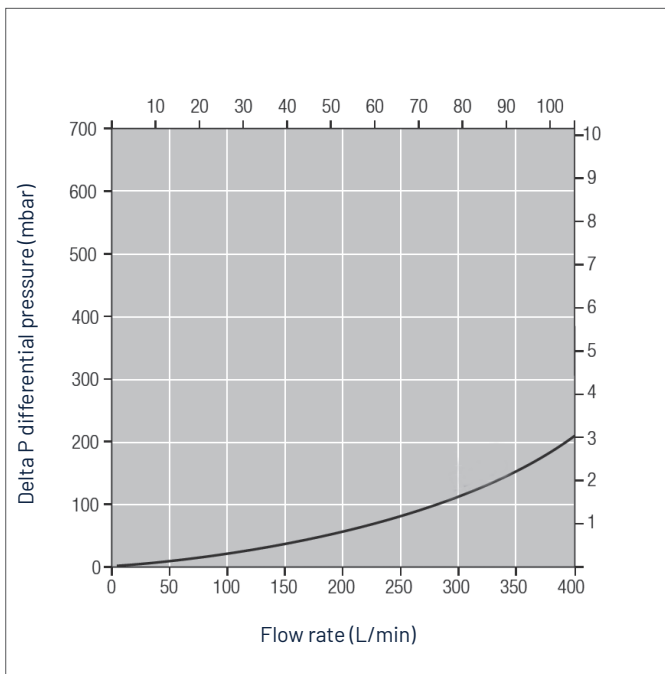
1 cartridge filter



3 cartridges filter



5 and 8 cartridges filter



- The flow/pressure curves represent the pressure drops for 20° water of the QVHP C filters in 1, 3, 5 and 8 cartridge versions in standard inlet/outlet dimensions. See table 4.
- For other liquids, multiply the pressure drop value for water by the specific gravity of the fluid.