

# QFINOX

6 QUALI-FILTECH cartridge filter housing with eye-bolts

EN Data sheet

QUALI FILTRES  
SIEBEC Group

## 6 QUALI-FILTECH cartridge filter housing with eye-bolts



### Description

QFINOX model from the QUALI-FILTRES range is a large cartridge filter housing designed for the industrial sector.

Its molded design incorporates a toggle bolt closure and DN150 PN16 flanged connections.

The cover is equipped with a 1/2" BSP connection for mounting a vent valve or a pressure gauge and a 1" connection for mounting the drain valve.

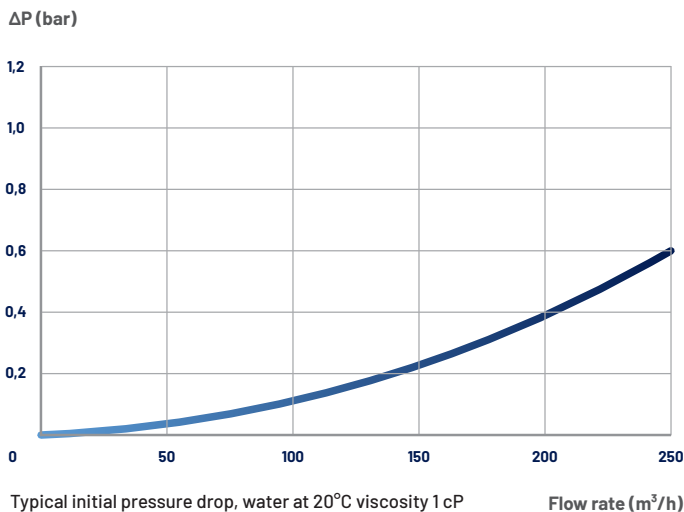
The surface is electropolished for easy cleaning and corrosion resistance. The filter housing accepts FILTECH™ 30" cartridges that reduce filtration and service costs.

The very large filter surface area of FILTECH™ cartridges provide minimal pressure drop and excellent retention capabilities.

### Characteristics & benefits

- Quick closure with eye-bolts for better pressure resistance.
- Material: 316L stainless steel
- Height : 30".
- The FILTECH™ pleated filter cartridge have a very large filtering surface (7.5m<sup>2</sup>/30"cartridge). See FILTECH™ data sheet.
- Simplified maintenance intervention thanks to FILTECH™ technology.
- Reduced filtration and intervention costs.
- Filtration rate between 100 and 250 m<sup>3</sup>/h
- Cover seal :
  - EPDM
  - FPM
- Options available upon request :
  - Pressure gauge, drain valve and vent valve in 316L (Ref : SI16443)
  - Possibility of mounting 42 standard QUALITERM™ or QUALIBOB™ cartridges.
- Other connection types and designs available upon request.

**Typical flow rates :** For QFINOX 30", Inlet/Outlet 6" (DN150)



### Service conditions

Conditions of use according to 2014/68/EU

Fluid group	Condition	Temperature	Maximum operating pressure
Non-hazardous fluid	Liquid	-20 to 75 °C	7 bars



QUALI-FILTRES SAS  
contact@quali-filtres.com



SIEBEC Ltd  
sales@siebec.co.uk



SIEBEC S.L.  
ventas@siebec.com



SIEBEC SRL  
commerciale@siebec.com



SIEBEC GmbH  
info@siebec.de



SIEBEC LDA  
info.pt@siebec.com

We are here to help.  
**Contact-us!**

## ORDER REFERENCE

Example :

QFINOX	-	<b>A</b>	-	<b>B</b>	-	<b>C</b>	-	<b>D</b>
		30		B150		316		E

### A / Filter housing sizes

Code	Height
20	20"
30	30"

### C / Material

Code	Material
316	316L stainless steel

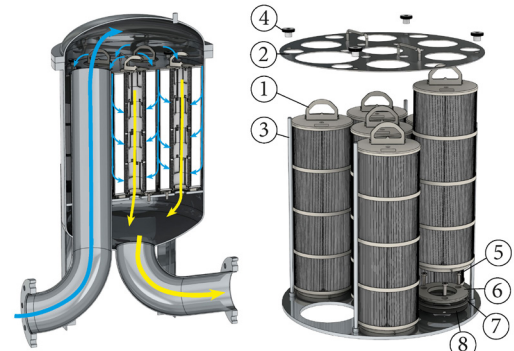
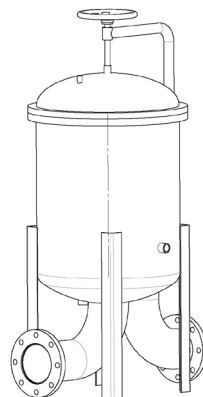
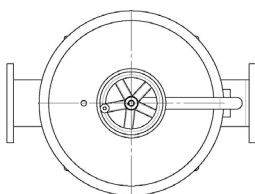
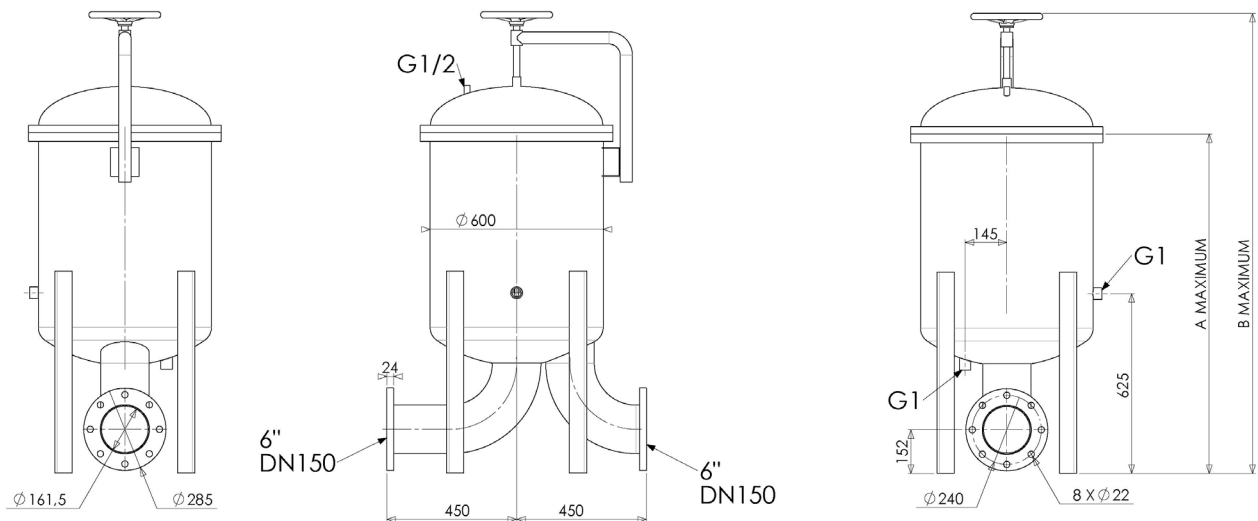
### B / Inlet/Outlet

Code	Type
B150	DN 150 Flange

### D / Seals

Code	Material
E	EPDM
V	FPM

## DIMENSIONS (mm)



### Cartridge heights

	A	B	
20"	1120	1538	249 L
30"	1430	1849	318 L