

# QFAP-MULTI

Multi-bags filter housing - Size 20



## Multi-bags filter housing - Size 20



### Description

QFAP MULTI models of the QUALIFILTRES range are multi-bags filter housings designed for liquid filtration applications in the industrial sector. All parts in contact with the fluid are made of 316 stainless steel.

Its in-line design reduces space requirements while facilitating the connection of piping.

The cover is lifted by a manual crane for easy handling. The surface is electropolished to facilitate cleaning improve corrosion resistance. The filter housing accepts size 20 filter bags with profile 2 molded ring (code EFS - see Qualipoche™ datasheet) for improved sealing.

### Characteristics & benefits

- Quick closing with eye-bolts (BB)
- Simplified maintenance thanks to the cover-mounted bracket and the easy installation of the profile 2 molded ring pockets.
- 1" drain connections on input/output piping.
- 1/2" event connection on cover.
- Cover seal :

Type	References	
	Ver. DN100 (PN16)	Ver. DN150 (PN16)
EPDM	SI25870 (QFAP-BB4)	SI25880 (QFAP-BB6)
FPM	SI25871 (QFAP-BB4)	SI25881 (QFAP-BB6)

### Service conditions

Conditions of use according to 2014/68/EU

Fluid group	Condition	Temperature	Maximum operating pressure
Non-hazardous fluid	Liquid	75°C	7 bars

### Order reference

Example :



### Options available upon request

- Magnetic candle device (with or without scraper)(Ref SI27135).
- Pressure gauge and vent valve.
- Other caps and designs available on request.

#### A / Number of bags

Code	Number
BB4	4 filter bags
BB6	6 filter bags

#### D / Inlet/Outlet

Code	Type
B100	DN100 flange (PN16)
B150	DN150 flange (PN16)

#### B / Size

Code	Size
20	Bags size 20

#### E / Materials

Code	Material
316	316L Stainless steel

#### C / Cover closure

Code	Type
BB	Eye-bolts

#### F / Seal

Code	Type
E	EPDM
F	FPM

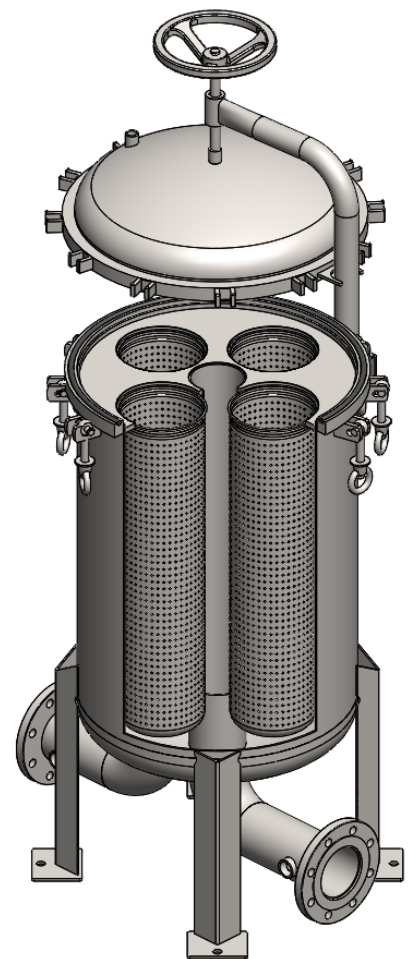
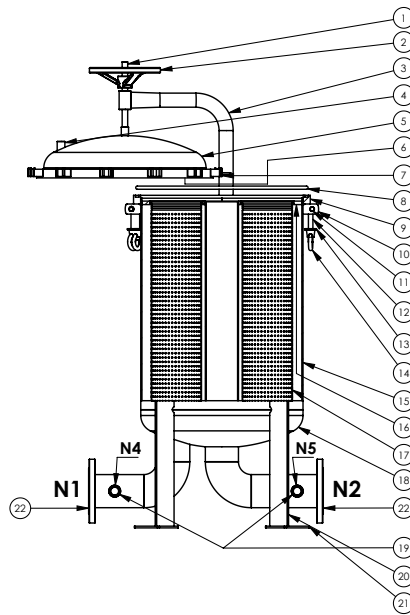
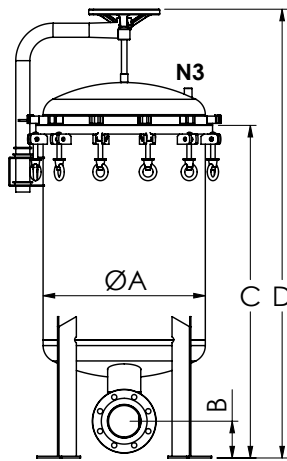
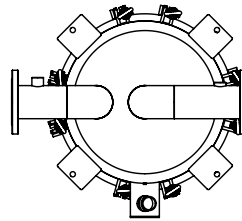
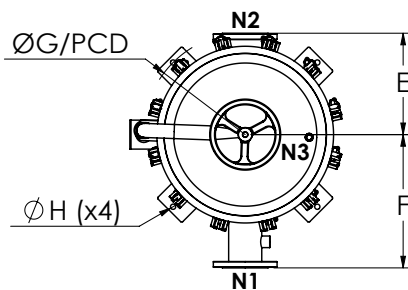
# QFAP-MULTI

Multi-bags filter housing - Size 20

EN Data sheet

QUALI FILTRES  
SIEBEC Group

N°		N°		N°	
1	Screw	9	Housing flange	17	Basket
2	Wheel	10	Tilting bolt	18	Bottom
3	Stem	11	Spindle	19	Drain
4	Vent	12	Bolt eye	20	Legs
5	Cover	13	Washer	21	Legs base
6	Flange cover	14	Nut	22	Input / Output
7	Bolt fastening	15	Housing		
8	O-ring seal	16	Bags tray		



## DIMENSIONS (mm)

Model	Size Inlet/Outlet	Number of bags	A	B	C	D	E	F	G/PCD	H	Flow rate (m <sup>3</sup> /h)	Weight	Volume
BB4	DN100	4	Ø560	127	1148	1549	350	460	Ø704	Ø18	180	161 kg	245 l
BB6	DN150	6	Ø600	152	1254	1673	449	475	Ø744	Ø18	270	206 kg	279 l