

QFAP-MINI

Small size bag filter housing - Size 07



Small size bag filter housing - Size 07



Characteristics & benefits

- Filter housing and bag holder: AISI 316L
- Filtration threshold: Depending on the bag installed from 1 to 1000 µm
- Closing: zinc-plated steel eye-bolts (BB) - Clamp (CS)
- EPDM seals (Ref : QFA104JTBBEF60-EPDM)
- Inlet/outlet : 1.1/2" threaded pdg - 1.1/2" threaded pdg | Thread R 1" 1/2 NFE 03.004 (Nda Gas thread with seal in the thread)

Service conditions

CS version Conditions of use according to 2014/68/EU

Fluid group	Condition	Temperature	Maximum operating pressure
Non-hazardous fluid	Liquid	60°C	7 bars

BB version Conditions of use according to 2014/68/EU

Fluid group	Condition	Temperature	Maximum operating pressure
Non-hazardous fluid	Liquid	110°C	10 bars

Options

- Magnetic device (Ref : BM 32300554F16).
- Adjustable feet (Ref : QFAP07Pieds).
- Stainless steel filter basket from 50 to 3000 µm.
- Other connection (flange, DN ...).
- FPM seal (Ref : QFA104JTBVVF60-Viton).

Order reference

Example :



A / Size

Code	Size
07	Bag size 7

C / Inlet/Outlet

Code	Type
GM1.5	1 1/2" male gas

B / Cover closure

Code	Type
BB	Eye-bolts
CS	Clamp

D / Seal

Code	Type
E	EPDM
V	FPM

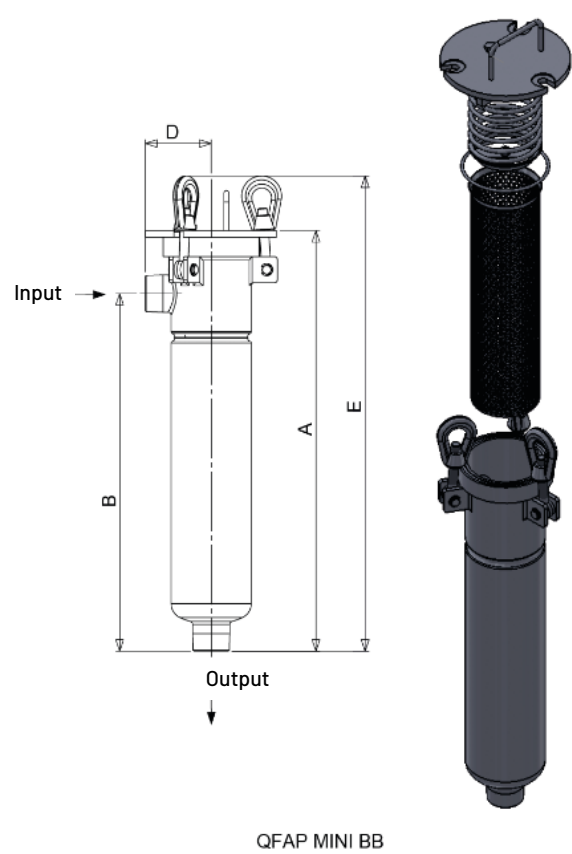
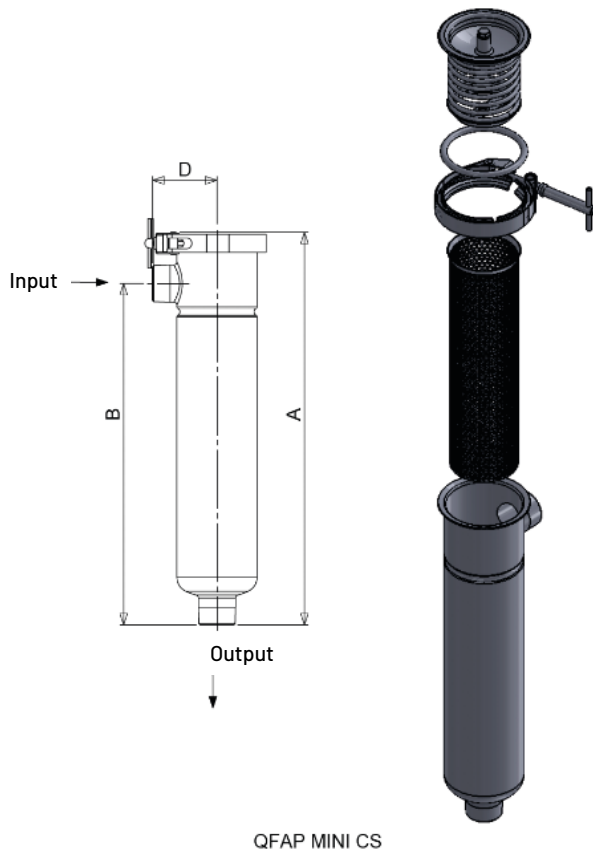
QFAP-MINI

Small size bag filter housing - Size 07

EN Data sheet

QUALI FILTRES
SIEBEC Group

DIMENSIONS (mm)



Model	Input / Output	Filtering surface	Vent	A	B	D	E	Volume	Weight
QFAP-07 CS	1.1/2" pdg Male	10 dm ²	1/4" pdg Male	502	440	862	-	3.7l	4,2 kg
QFAP-07 BB	1.1/2" pdg Male	10 dm ²	1/4" pdg Female	538	460	86	608	3.7l	7,2 kg