

# QFAP-CS

Bag filter housing with clamp



## Bag filter housing with clamp



### Description

The QFAP-CS model from QUALI-FILTRES range is an economical bag filter housing for various filtration applications. Its design integrates 1" or 2" BSP female connections and a clamp for easy disassembly.

The cover is equipped with a 1/4" BSP connection for mounting a vent valve or pressure gauge. The surface is electropolished for easy cleaning and corrosion resistance. The filter housing is available to accept molded ring pockets (model 2 - code: EFS) for improved sealing. O-ring bags require the use of an optional compression spring (Ref: SI17898 for T10 and T20).

### Characteristics & benefits

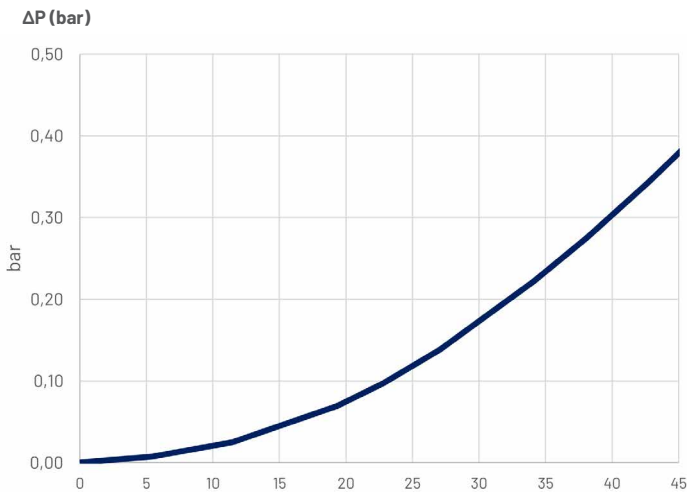
- Quick closure by clamp.
- Available in 2 materials: 304 or 316L
- Filter bags with O-ring or moulded ring (model 2 - code: EFS). see Qualipore sheet.
- Adjustable feet in height
- Cover seal :
  - EPDM T10/20 : Ref: QFAP-CS-10-20-JT-EPDM
  - FPM T10/20 : Ref: QFAP-CS-10-20-JT-FPM
  - EPDM T4/8 : Ref: QFAP-CS-4-8-JT-EPDM
  - FPM T4/8 : Ref: QFAP-CS-4-8-JT-FPM
- Options available upon request
  - magnetic candle device (with or without wiper)
  - pressure gauge and vent valve (Ref: SI17755).
- Other caps and designs available on request

### Service conditions

Conditions of use according to 2014/68/EU

Fluid group	Condition	Temperature	Maximum operating pressure
Non-hazardous fluid	Liquid	-20 à 75 °C	7 bars

### Typical flow rates



Typical initial pressure drop, water at 20°C viscosity 1cP

Flow rate (m³/h)

### Order reference

Example :



#### A / Size

Code	Type
4	Bag size 4
8	Bag size 8
10	Bag size 10
20	Bag size 20

#### D / Materials

Code	Material
304	304
316	316L

#### B / Cover closure

Code	Type
CS	Clamp

#### E / Seal

Code	Type
E	EPDM
V	FPM

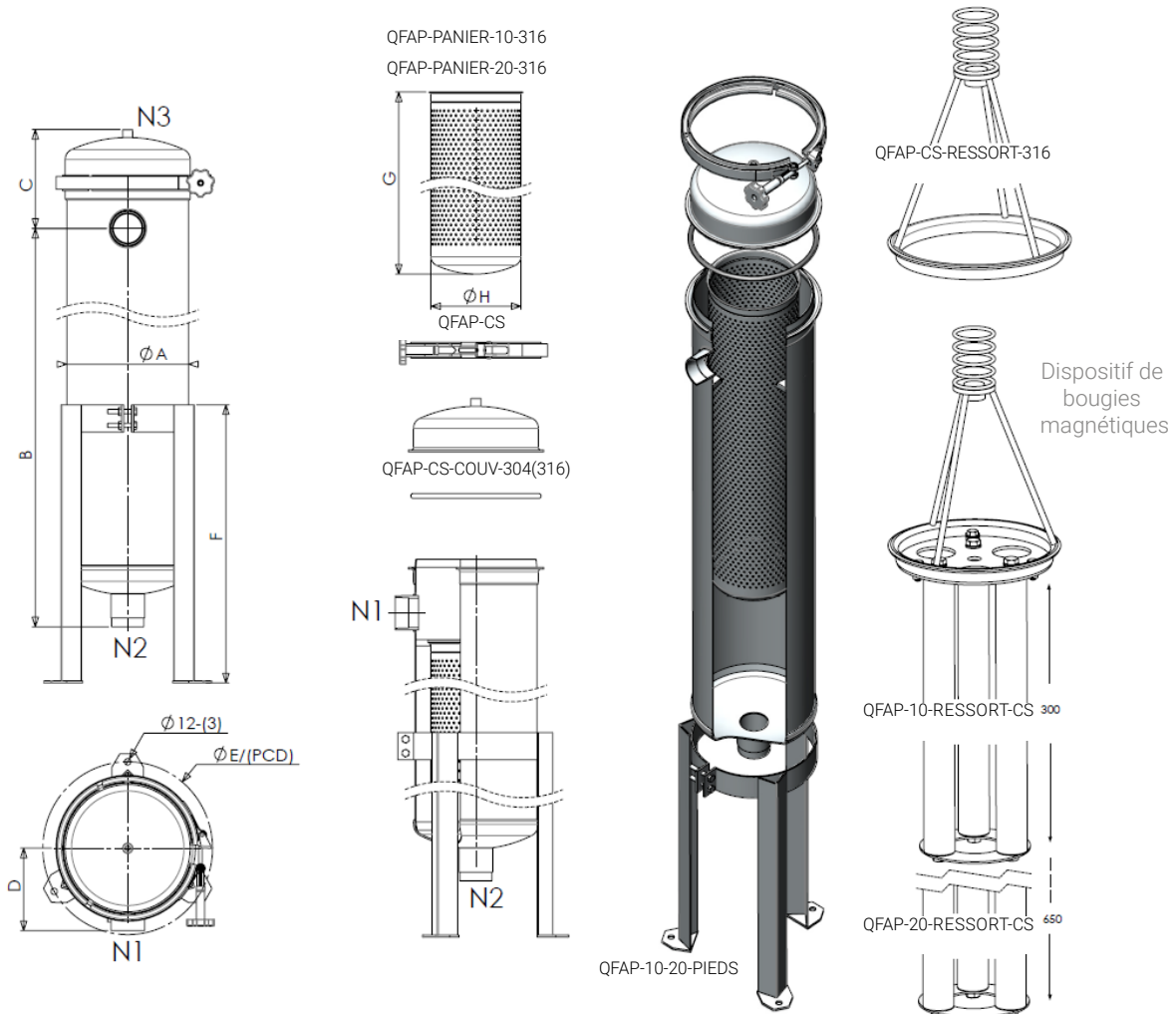
#### C / Inlet/Outlet

Code	Type
1	1" BSP female (T4/T8)
2	2" BSP female (T10/T20)

# QFAP-CS

Bag filter housing with clamp

## DIMENSIONS (mm)



Model	A	B	C	D	E	F	G	H	m <sup>3</sup> /h	Weight	Volume
QFAP-4	Ø180	327,5	180,5	124	Ø252	350	200	Ø97.5	4.5	14 kg	11 l
QFAP-8	Ø180	465	175	124	Ø252	350	310	Ø97.5	9	14 kg	14 l
QFAP-10	Ø232	550	185	176	Ø323	600	350	Ø171.5	20	21 kg	27 l
QFAP-20	Ø232	1005	185	176	Ø323	600	730	Ø171.5	45	26 kg	46 l

## OPTIONS

Model	Standard version	Standard version + scraper	Ducted fluid version + scraper
3,800 Gauss magnetic rod	T10	QFAP-10-RESSORT-CS	QFAP-10-RESSORT-CS-RCL /
	T20	QFAP-20-RESSORT-CS	QFAP-20-RESSORT-CS-RCL /
11,000 Gauss magnetic rod	T10	QFAP-10-RESSORT-HD-CS	QFAP-10-RESSORT-HD-CS-RCL /
	T20	QFAP-20-RESSORT-HD-CS	QFAP-20-RESSORT-HD-CS-RCL SI 19584