

QFAP-BIG

Big size bag filter housing - Size 30 or 40



Big size bag filter housing- Size 30 or 40



Description

QFAP BIG 30 and 40 models of the QUALIFILTRES range are large capacity bag filter housings adapted to high flow rates. They are available in clamp version for low pressures and eye-bolts for higher pressures.

The cover is equipped with a 1/2" connection for mounting a vent valve and a pressure gauge. The filter housing is equipped with a 1/2" connection at the bottom for mounting a bleed valve. The filter housing is made of stainless steel 316L for better corrosion resistance.

Characteristics & benefits

- QFAP BIG 30 model is fitted as standard with DN80 flanges for flow rates of 60m³/h.
- QFAP BIG 40 model is fitted as standard with DN100 flanges for flows of 80m³/h.
- Quick closure with eye-bolts (BB) for better pressure resistance.
- Available in 316L stainless steel.
- Filter bags in sizes 30 and 40 with O-ring. See Qualipoche™ datasheet.
- Height adjustable legs.
- Cover seal : Nitrile as standard. Available in EPDM or FPM on request.

Service conditions

CS version		Conditions of use according to 2014/68/EU		
Fluid group	Condition	Temperature	Maximum operating pressure	
Non-hazardous fluid	Liquid	60°C	6 bars	

BB version		Conditions of use according to 2014/68/EU		
Fluid group	Condition	Temperature	Maximum operating pressure	
Non-hazardous fluid	Liquid	90°C	10 bars	

Options available upon request

- Stem (BB model only).
- Magnetic spark plug device.
- Addition of connection on tank.
- Adjustable legs.
- Other caps and designs available on request.

Order reference

Example :



A / Size

Code	Type
30	Bag size 30
40	Bag size 40

D / Materials

Code	Material
316	316L Stainless steel

B / Cover closure

Code	Type
BB	Eye-bolts
CS	Clamp

E / Seal

Code	Type
Sans	Nitrile
E	EPDM
V	FPM

C / Inlet/Outlet

Code	Type
B80	DN80 flange
B100	DN100 flange



QUALI-FILTRES SAS
contact@quali-filtres.com



SIEBEC Ltd
sales@siebec.co.uk



SIEBEC S.L.
ventas@siebec.com



SIEBEC SRL
commerciale@siebec.com



SIEBEC GmbH
info@siebec.de



SIEBEC LDA
info.pt@siebec.com

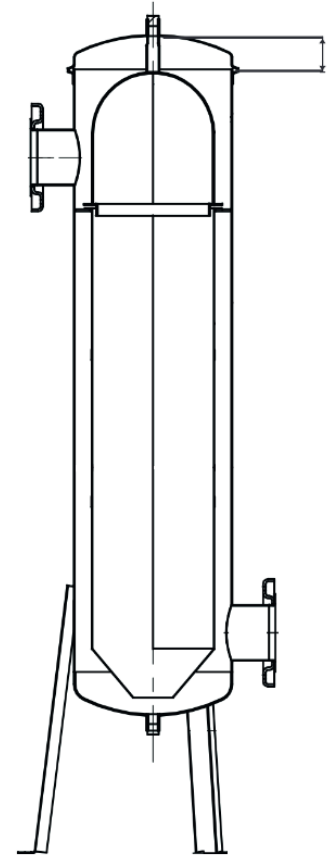
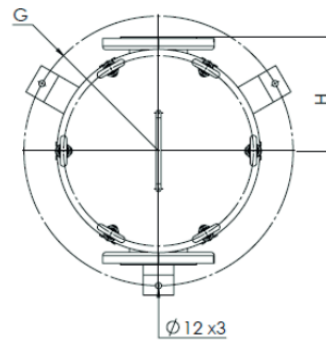
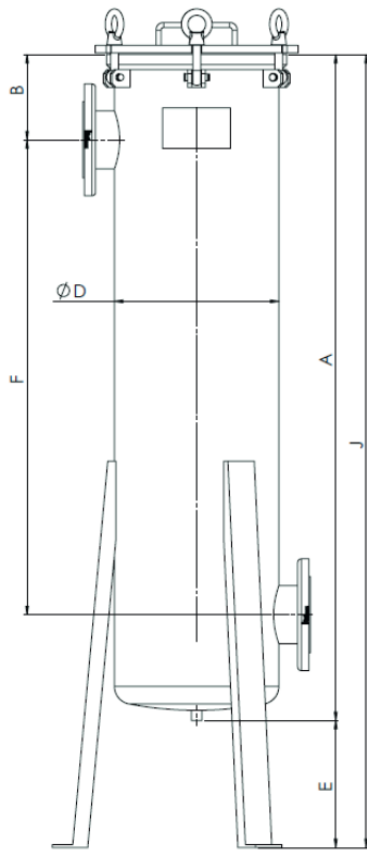
We are here to help.
Contact-us!

QFAP-BIG

Big size bag filter housing - Size 30 or 40

EN Data sheet

QUALI FILTRES
SIEBEC Group



DIMENSIONS (mm)

Model	A	B	D	E	F	G	H	I	J	Weight
QFAP-30-CS*	1100	180	324	250	720	255	250	102	1452	42 kg
QFAP-40-CS*	1350	180	324	250	970	255	250	102	1702	50 kg
QFAP-30-BB	1100	180	324	250	720	255	250	-	1350	62 kg
QFAP-40-BB	1350	180	324	250	970	255	250	-	1600	79 kg

* For the versions with clamp, the dimension I corresponds to the height of the cover.



QUALI-FILTRES SAS
contact@quali-filtres.com



SIEBEC Ltd
sales@siebec.co.uk



SIEBEC S.L.
ventas@siebec.com



SIEBEC SRL
commerciale@siebec.com



SIEBEC GmbH
info@siebec.de



SIEBEC LDA
info.pt@siebec.com

We are here to help.
Contact-us!