

QFAP-BB

Bag filter housing with eye-bolts - size 10 or 20

EN Data sheet

Bag filter housing with eye-bolts - size 10 or 20

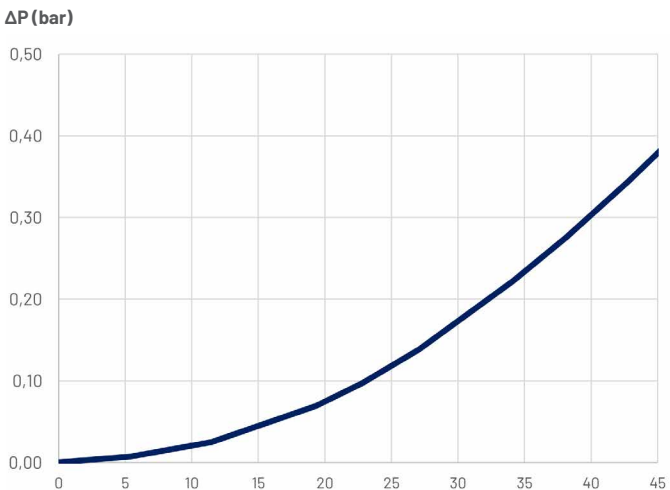


Service conditions

Conditions of use according to 2014/68/EU

Fluid group	Condition	Temperature	Maximum operating pressure
Non-hazardous fluid	Liquid	-20 to 75 °C	10 bar
Non-hazardous fluid	Liquid	100°C	2 bar

Typical flow rates



Typical initial pressure drop, water at 20°C viscosity 1cP

Flow rate (m³/h)

Description

QFAP-BB model from the QUALI-FILTRES range is a bag filter housing for the industrial sector. Its molded design incorporates a tilting bolt closure and DN50 PN16 flange connections.

The cover is equipped with a ¼" BSP connection for mounting a vent valve or pressure gauge. The surface is electropolished for easy cleaning and corrosion resistance. The filter housing is available for size 10 and 20 bags with O-ring or molded ring (model 2 - code: EFS) for improved sealing.

O-ring bags require the use of a compression spring (Ref: SI17496)

Characteristics & benefits

- Quick closure with eye-bolts for better pressure resistance.
- Available in 2 materials: 304 or 316L
- Filter bags in size 10 and 20 with O-ring or moulded ring (model 2 - code: EFS). See Qualipoche data sheet.
- Height-adjustable feet
- Cover seal :
 - EPDM T10/20 : Ref : QFAP-BB-10-20-JT-EPDM
 - EPDM ACS T10/20 : Ref : QFAP-BB-10-20-JT-EPDM-ACS
 - FPM T10/20 : Ref : QFAP-BB-10-20-JT-FPM
 - NBR T10/20 : Ref : QFAP-BB-10-20-JT-NBR
 - TEFLON T10/20 : Ref : QFAP-BB-10-20-JT-TEFLON
- Options available upon request :
 - magnetic rod device (with or without scraper)
 - pressure gauge and vent valve (Ref: SI17755).
- Other caps and designs available on request

Order reference

Example :



A / Size

Code	Type
10	Bag size 10
20	Bag size 20

D / Material

Code	Material
304	304
316	316L

B / Cover closure

Code	Type
BB	Eye-bolts

E / Seals

Code	Type
E	EPDM
EA	EPDM ACS
V	FPM
N	NBR

C / Inlet/Outlet

Code	Type
2	2" BSP female
B50	DN50 Flange

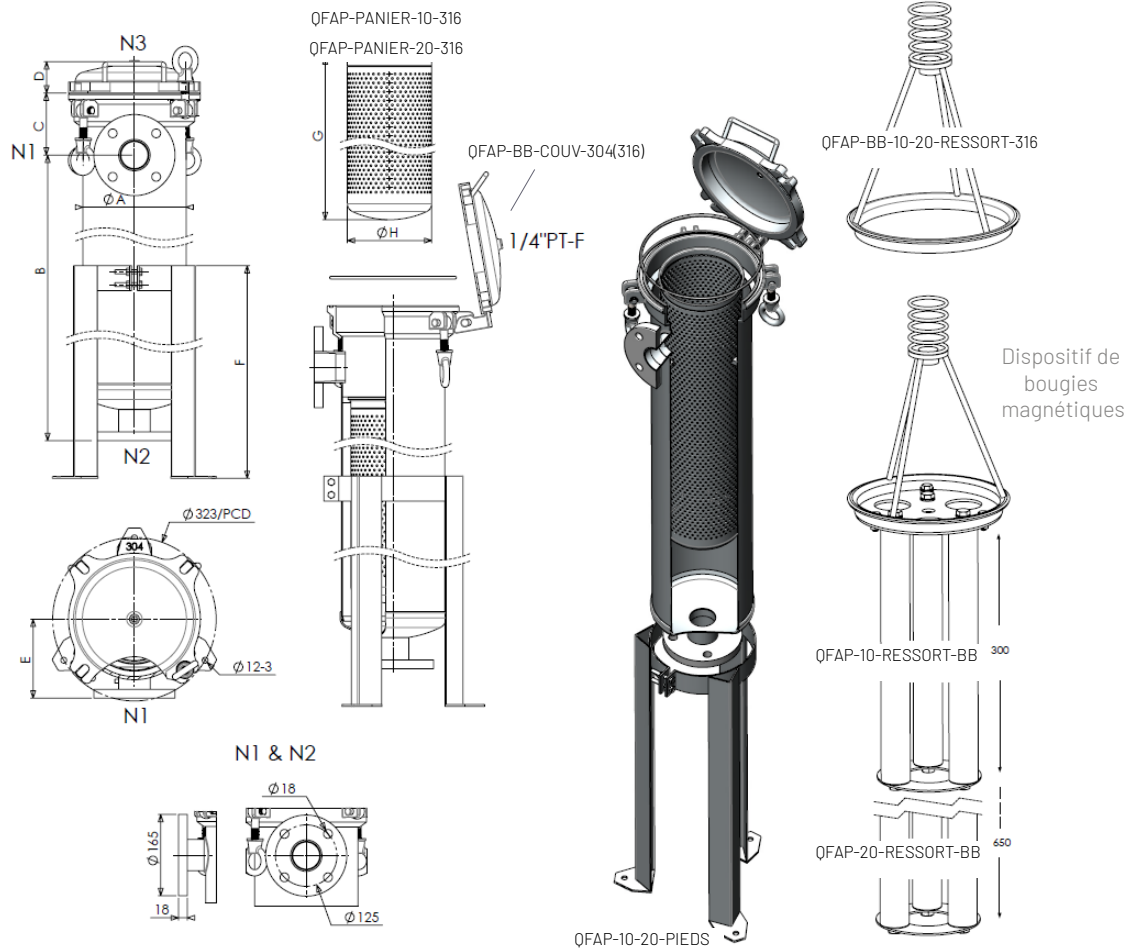
F / Coating

Code	Type
H	Halar

QFAP-BB

Bag filter housing with eye-bolts - size 10 or 20

DIMENSIONS (mm)



Model	A	B	C	D	E	F	G	H	m ³ /h	Weight	Volume
QFAP-10 2"	Ø232	525	125	66	159	600	350	Ø171.5	20	34 kg	23 l
QFAP-10 B50	Ø232	545	125	66	176	600	350	Ø171.5	20	34 kg	23 l
QFAP-20 2"	Ø232	910	125	66	159	700	730	Ø171.5	45	43 kg	37 l
QFAP-20 B50	Ø232	925	125	66	176	700	730	Ø171.5	45	43 kg	37 l

OPTIONS

Model		standard version	Standard version + scraper	Ducted fluid version + scraper
3800 Gauss spark plug	T10	QFAP-10-RESSORT-BB	QFAP-10-RESSORT-BB-RCL	/
	T20	QFAP-20-RESSORT-BB	QFAP-20-RESSORT-BB-RCL	/
11000 Gauss spark plug	T10	QFAP-10-RESSORT-HD-BB	QFAP-10-RESSORT-HD-BB-RCL	/
	T20	QFAP-20-RESSORT-HD-BB	QFAP-20-RESSORT-HD-BB-RCL	SI 19584