

# QFAP-BB-C

Gooseneck bag filter - size 10 and 20



## Gooseneck bag filter - size 10 and 20



### Description

The QFAP-BB-C model from the QUALI-FILTRES range is a bag filter housing for the industrial sector. Its gooseneck design incorporates a tilting bolt closure and DN50 PN16 flanged connections.

The cover is equipped with a 1/4" BSP connection for mounting a vent valve or pressure gauge. The surface is electropolished for easy cleaning and corrosion resistance. The filter housing is available for size 10 and 20 bags with O-ring or molded ring (model 2 - code: EFS) for improved sealing.

The top inlet requires less space and allows liquids to flow through the lid, improving sealing, reducing product loss and making the filter change procedure cleaner.

### Characteristics & benefits

- Quick closure with eye-bolts for better pressure resistance.
- Available in 2 materials: 304 or 316L
- Maximum permissible pressure: 10 or 16 bar
- Filter bags in size 10 and 20 with O-ring or moulded ring (model 2 - code: EFS). See Qualipoche data sheet.
- Height-adjustable feet
- Lid gasket kit :
  - EPDM T10/20 : Ref : QFAP-BB-C-JT-EPDM
  - EPDM ACS T10/20 : Ref : QFAP-BB-C-JT-EPDM-ACS
  - FPM T10/20 : Ref : QFAP-BB-C-JT-FPM
  - NBR T10/20 : Ref : QFAP-BB-C-JT-NBR
  - TEFLON T10/20 : Ref : QFAP-BB-C-JT-TEFLON
- Options available upon request :
  - magnetic rod device (with or without scraper)
  - pressure gauge and vent valve (Ref: SI17755).
- Other caps and designs available on request

### Service conditions

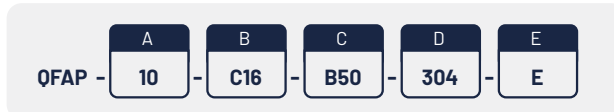
#### Conditions of use according to 2014/68/EU

| Fluid group         | Version | Condition | Temperature  | Maximum operating pressure |
|---------------------|---------|-----------|--------------|----------------------------|
| Non-hazardous fluid | C10     | Liquid    | -20 to 75 °C | 10 bar                     |
| Non-hazardous fluid | C16     | Liquid    | -20 to 75 °C | 16 bar                     |

\*High-temperature version on request.

### Order reference

Example :



#### A / Size

| Code | Type        |
|------|-------------|
| 10   | Bag size 10 |
| 20   | Bag size 20 |

#### D / Material

| Code | Material |
|------|----------|
| 304  | 304      |
| 316  | 316L     |

#### B / Cover closure

| Code | Type   |
|------|--------|
| C10  | 10 bar |
| C16  | 16 bar |

#### E / Seal

| Code | Type              |
|------|-------------------|
| E    | EPDM              |
| EA   | EPDM ACS          |
| V    | FPM               |
| N    | NBR               |
| T    | FPM TEFLON COATED |

#### C / Inlet/Outlet

| Code | Type        |
|------|-------------|
| B50  | DN50 Flange |

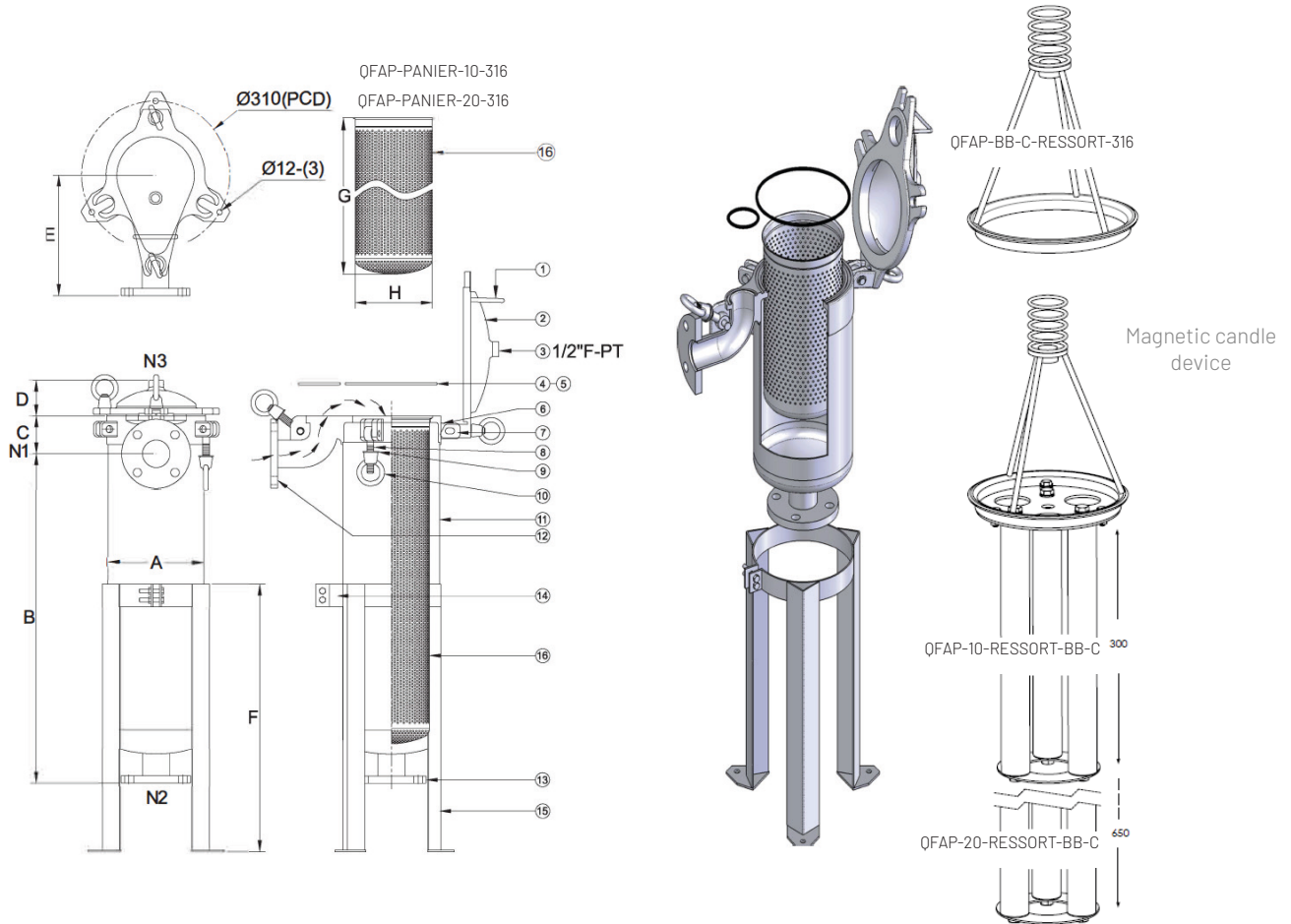
# QFAP-BB-C

Gooseneck bag filter - size 10 and 20

EN Data sheet

**QUALI FILTRES**  
SIEBEC Group

## DIMENSIONS (mm)



| Model   | A    | B   | C  | D  | E   | F   | G   | H      | m <sup>3</sup> /h | Weight | Volume |
|---------|------|-----|----|----|-----|-----|-----|--------|-------------------|--------|--------|
| QFAP-10 | Ø216 | 390 | 85 | 80 | 270 | 600 | 350 | Ø171.5 | 20                | 40 kg  | 16 l   |
| QFAP-20 | Ø216 | 740 | 85 | 80 | 270 | 600 | 730 | Ø171.5 | 45                | 48 kg  | 31 l   |

## OPTIONS

| Model                  | standard version | Standard version + scraper |                             |
|------------------------|------------------|----------------------------|-----------------------------|
| 3800 Gauss spark plug  | T10              | QFAP-10-RESSORT-BB-C       | QFAP-10-RESSORT-BB-C-RCL    |
|                        | T20              | QFAP-20-RESSORT-BB-C       | QFAP-20-RESSORT-BB-C-RCL    |
| 11000 Gauss spark plug | T10              | QFAP-10-RESSORT-HD-BB-C    | QFAP-10-RESSORT-HD-BB-C-RCL |
|                        | T20              | QFAP-20-RESSORT-HD-BB-C    | QFAP-20-RESSORT-HD-BB-C-RCL |