

# QFACP-MULTI

Multi-cartridge plastic filter



## Corrosion-resistant multi-cartridge filter housing



### Description

QFACP-MULTI filter model from the Quali-filtres range is a multi cartridge filter housing designed for the industrial sector.

Its machined design incorporates a tilting bolt cover.

The filter housing is available with flange or nut connections.

Its design in polypropylene gives it a high resistance to chemicals while guaranteeing a very good longevity of the filter housing.

The filter housings accept code 0 (DOE) or code 8 (SOE) cartridges.

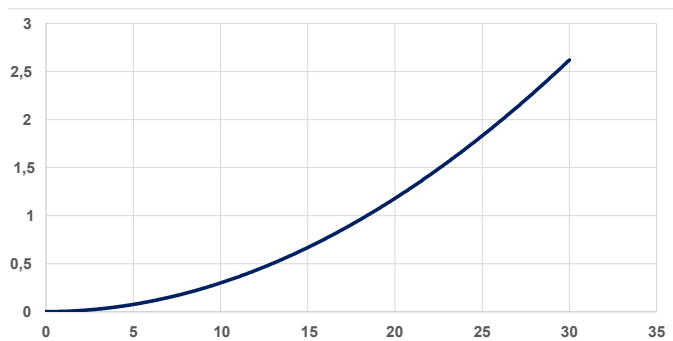
The cover is equipped with a 1/2" connection for mounting a vent valve or pressure gauge.

### Characteristics & benefits

- Multi-cartridge model available in PP only.
- Compatible with code 0 or code 8 cartridges for improved sealing
- Optional feet available for the multi-cartridge model.
- Available in FPM seal on request.
- Option available on request :
  - Pressure gauge and vent valve.
- Other caps and designs available on request.

### Typical flow rates : 3 cartridges 20" model

ΔP (bar)



Typical initial pressure drop, water at 20°C viscosity 1cP

Flow rate (m³/h)

### Service conditions

#### Conditions of use according to 2014/68/EU

Fluid group	State	Temperature	Maximum operating pressure
Non-hazardous fluid	Liquid	0 to 40 °C	7 bars
		40 to 50 °C	5 bars
		50 to 60 °C	4 bars
		60 to 70 °C	3 bars

# QFACP-MULTI

Multi-cartridge plastic filter

EN Data sheet

**QUALI** FILTRES  
SIEBEC Group

## ORDER REFERENCE

Example : QFACP - 

A
3

 - 

B
20

 - 

C
0

 - 

D
2P1/4

 - 

E
PP

 - 

F
E

### A / Cartridges amount

Code	Amount
3	3 cartridges

### B / Filter housing sizes

Code	Size
10	10"
20	20"
30	30"

### C / Cartridge types

Code	Type
0	DOE cartridge - double opening
8	SOE cartridge - Single opening with external 222 O-rings, other end flat

### D / Inlet/Outlet

Code	Type
2P1/4	2"1/4 male threaded piece
B50	DN50 flange

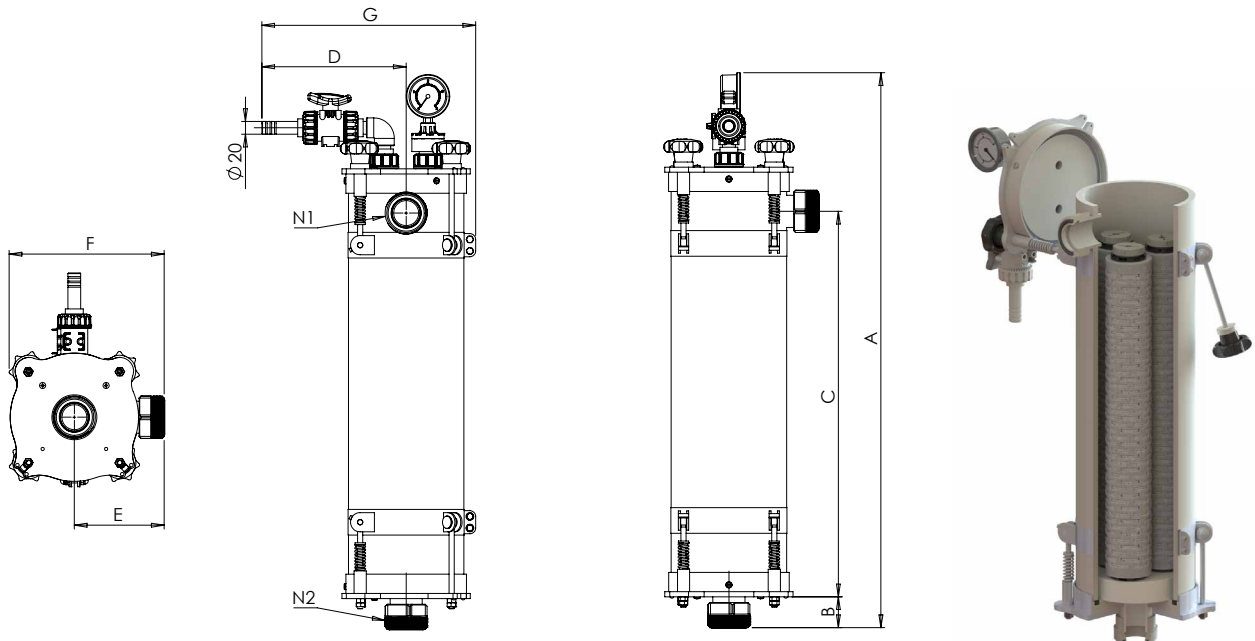
### E / Materials

Code	Material
PP	Polypropylene

### F / Seals

Code	Type
E	EPDM
V	FPM

## DIMENSIONS (mm)



Model	A	B	C	D	E	F	G	N1 & N2
QFACP 10"	611	48	347	225	136	238	334	G 2"1/4 ext
QFACP 20"	865	48	601	225	136	238	334	G 2"1/4 ext
QFACP 30"	1119	48	855	225	136	238	334	G 2"1/4 ext