

QFAP-BB-C

Gooseneck bag filter - size 10 and 20



Gooseneck bag filter - size 10 and 20



Description

The QFAP-BB-C model from the QUALI-FILTRES range is a bag filter housing for the industrial sector. Its gooseneck design incorporates a tilting bolt closure and DN50 PN16 flanged connections.

The cover is equipped with a 1/4" BSP connection for mounting a vent valve or pressure gauge. The surface is electropolished for easy cleaning and corrosion resistance. The filter housing is available for size 10 and 20 bags with molded ring (model 2 - code: EFS and model 4 - code: EAP) for improved sealing.

The top inlet requires less space and allows liquids to flow through the lid, improving sealing, reducing product loss and making the filter change procedure cleaner.

Characteristics & benefits

- Quick closure with eye-bolts for better pressure resistance.
- Available in 2 materials: 304 or 316L
- Maximum permissible pressure: 10 or 16 bar
- Filter bags in size 10 and 20 with moulded ring (model 2 - code: EFS and model 4 - code: EAP). See Qualipoche data sheet.
- Height-adjustable feet
- Lid gasket kit :
 - EPDM T10/20 : Ref : QFAP-BB-C-JT-EPDM
 - EPDM ACS T10/20 : Ref : QFAP-BB-C-JT-EPDM-ACS
 - FPM T10/20 : Ref : QFAP-BB-C-JT-FPM
 - NBR T10/20 : Ref : QFAP-BB-C-JT-NBR
 - TEFLON T10/20 : Ref : QFAP-BB-C-JT-TEFLON
- Options available upon request :
 - magnetic rod device (with or without scraper)
 - pressure gauge and vent valve (Ref: SI17755).
- Other caps and designs available on request

Service conditions

Conditions of use according to 2014/68/EU

Fluid group	Version	Condition	Temperature	Maximum operating pressure
Non-hazardous fluid	C10	Liquid	-20 to 75 °C	10 bar
Non-hazardous fluid	C16	Liquid	-20 to 75 °C	16 bar

* High-temperature version on request.

Order reference

Example :



A / Size

Code	Type
10	Bag size 10
20	Bag size 20

D / Material

Code	Material
304	304
316	316L

B / Cover closure

Code	Type
C10	10 bar
C16	16 bar

E / Seals

Code	Type
E	EPDM
EA	EPDM ACS
V	FPM
N	NBR
T	FPM TEFLON COATED

C / Inlet/Outlet

Code	Type
B50	DN50 Flange

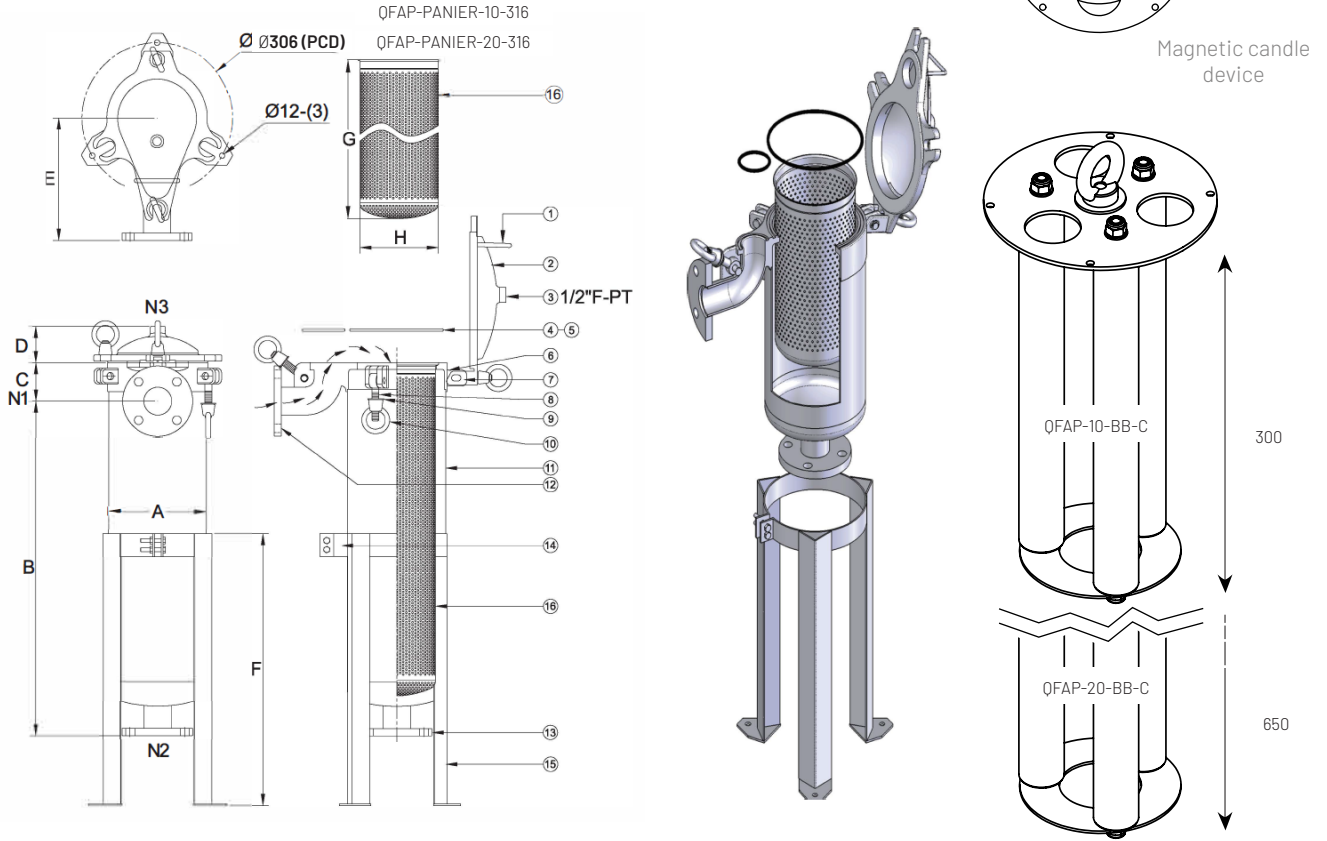
QFAP-BB-C

Gooseneck bag filter - size 10 and 20

EN Data sheet

QUALI FILTRES
SIEBEC Group

DIMENSIONS (mm)



Model	A	B	C	D	E	F	G	H	m ³ /h	Weight	Volume
QFAP-10-C16-B50	Ø216	380	118	82	385	600	350	Ø171.5	20	40 kg	16 l
QFAP-20-C16-B50	Ø216	730	118	82	385	600	730	Ø171.5	45	48 kg	31 l
QFAP-10-C16-2	Ø216	369	85	80	310	600	350	Ø171.5	20	40 kg	16 l
QFAP-20-C16-2	Ø216	719	85	80	310	600	730	Ø171.5	45	48 kg	31 l

OPTIONS*

Model	standard version	Standard version + scraper
3800 Gauss spark plug	T10	QFAP-10-BB-C
	T20	QFAP-20-BB-C
11000 Gauss spark plug	T10	QFAP-10-HD-BB-C
	T20	QFAP-20-HD-BB-C

*Magnetic device compatible only with profile 4 moulded ring: type EAP