

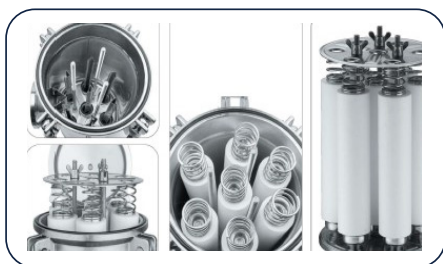
## Multicartridge filter with tilting bolts



Version 3 and 5 cartridges



Version 8 cartridges



### Description

The QFACF models in the QUALI-FITRES range are multicartridge filter bodies designed for liquid filtration applications. All parts in contact with the fluid are made of 316L stainless steel.

Its moulded design incorporates a tilting bolt closure and DN50 flanged connections.

The cover is fitted with a connection for fitting an event valve or pressure gauge, and the body with a connection for the drain valve.

The surface is electropolished for easy cleaning and corrosion resistance. This filter body accepts our wide range of pleated cartridges and membrane cartridges.

### Characteristics & benefits

- Wide range of 3, 5 and 8 code 0 (DOE double opening) or code 7 (SOE - 226, fine) cartridges in lengths of 20", 30" and 40".
- Quick-fastening with tilting bolts (BB) for improved pressure resistance.
- Ideal for CIP operations
- Full range of accessories available in 316L
- 1/4" BSP vent connections for the 3 and 5 cartridge versions and 1/2" BSP for the 8 cartridge version.
- 3/4" BSP drain connections for the 3 and 5 cartridge versions and 2 1" BSP tappings for the 8 cartridge version.
- Inlet/outlet connections: BSP and EN1092-1 flanges
- Cover gasket :
  - EPDM : QFACF-JT-EPDM
  - EPDM ACS : QFACF-JT-EPDM-ACS
  - FPM : QFACF-JT-FPM
  - NBR : QFACF-JT-NBR
  - SILICONE : QFACF-JT-SI
- Options available on request :
  - 3 and 5 cartridges version: Vent valve + mano and drain valve kit: SI16442
  - 8-cartridge version: Vent valve + mano and drain valve kit: SI16443

### Terms of service

Conditions of use according to 2014/68/EU

Version	Fluid group	Status	Temperature	Max pressure (bar)
Version 3 and 5 cartridges	Non-hazardous fluid	Liquid	-20 to 75°C	10
Version 8 cartridges	Non-hazardous fluid	Liquid	-20 to 75°C	7

# QFACF

Multicartridge filter with tilting bolts

## ORDER REFERENCE

Exemple :



### A / Numbers of cartridges

Code	Description
3	3 cartridges
5	5 cartridges
8	8 cartridges

### B / Filter body sizes

Code	Height
20	20" (3 - 5 cartridges only)
30	30"

### C / Types of cartridge

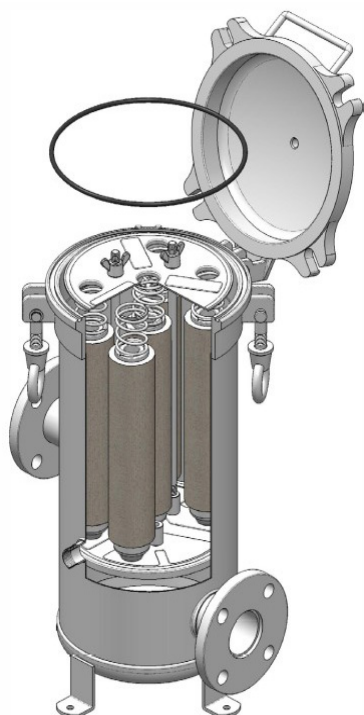
Code	Cartridge
0	DOE cartridge: double opening
7	SOE cartridge: single opening with 2 O-rings 2.226. + bayonet and point closure at the other end

### D / Standard input/output

Code	Type
B50	Bride DN50
B65	Bride DN65
2	BSP male 2"

### E / Seals

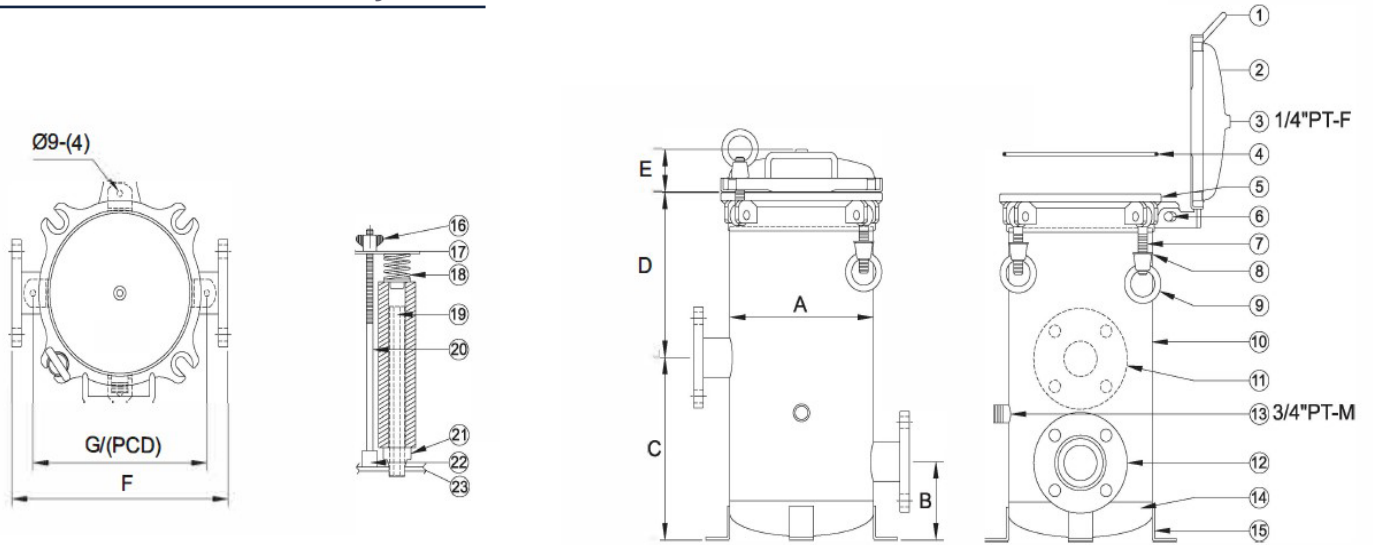
Code	Material
E	EPDM
EA	EPDM ACS
S	Silicone
V	FPM
N	NBR



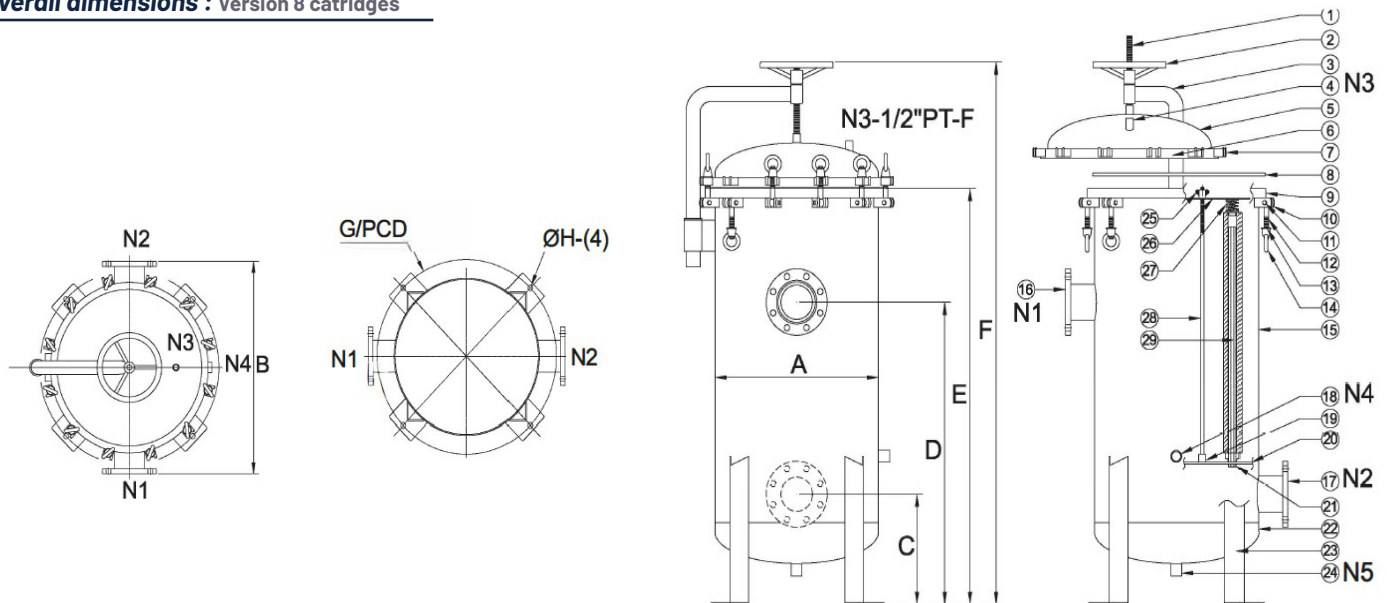
# QFACF

Multicartridge filter with tilting bolts

## Overall dimensions : Version 3 and 5 cartridges



## Overall dimensions : Version 8 cartridges



Model QFACF	A (mm)	B (mm)	C (mm)	D (mm)	E (mm)	F (mm)	G (PCD)	m <sup>3</sup> /h	Weight	Volume
3 - 20	Ø180	120	280	515	51	300	Ø236	6	30 kg	27 L
3 - 30	Ø180	120	280	770	51	300	Ø236	9	35 kg	36 L
5 - 20	Ø232	120	280	513	67	358	Ø288	10	35 kg	34 L
5 - 30	Ø232	120	280	768	67	358	Ø288	15	40 kg	45 L
8 - 30	Ø306	506	350	700	1320	1638	Ø416	24	77 kg	89 L