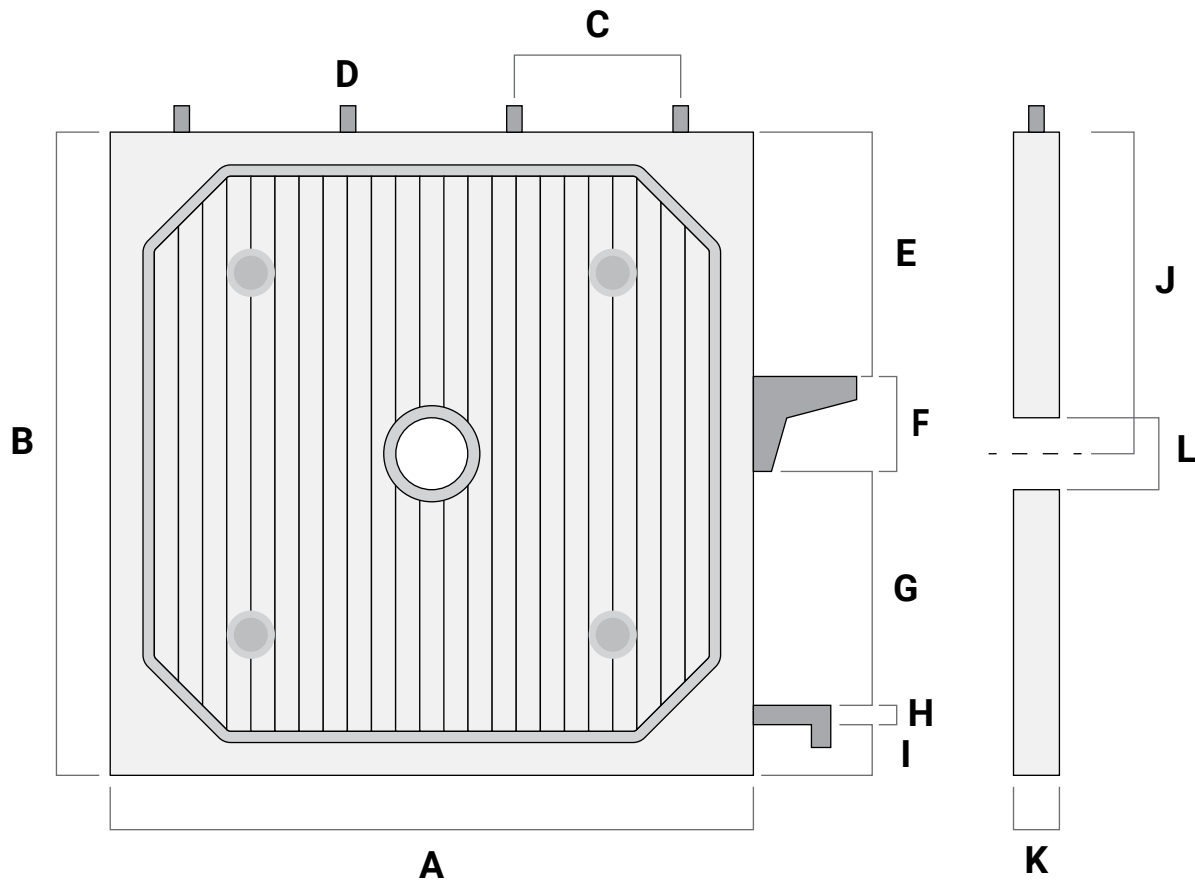


FILTER PRESS CLOTH

Design of the filter press cloth



Dimensions in mm :

A	Plate width
B	Plate height
C	Distance between centers
D	Numbers of upper studs
E	Distance between the top of the plate and the support
F	Support height

G	Distance between the support and the tap
H	Tap diameter
I	Distance between the tap and the bottom of the plate
J	Distance between the top of the plate and the supply channel
K	Plate thickness
L	Supply channel diameter

Client information

Client :

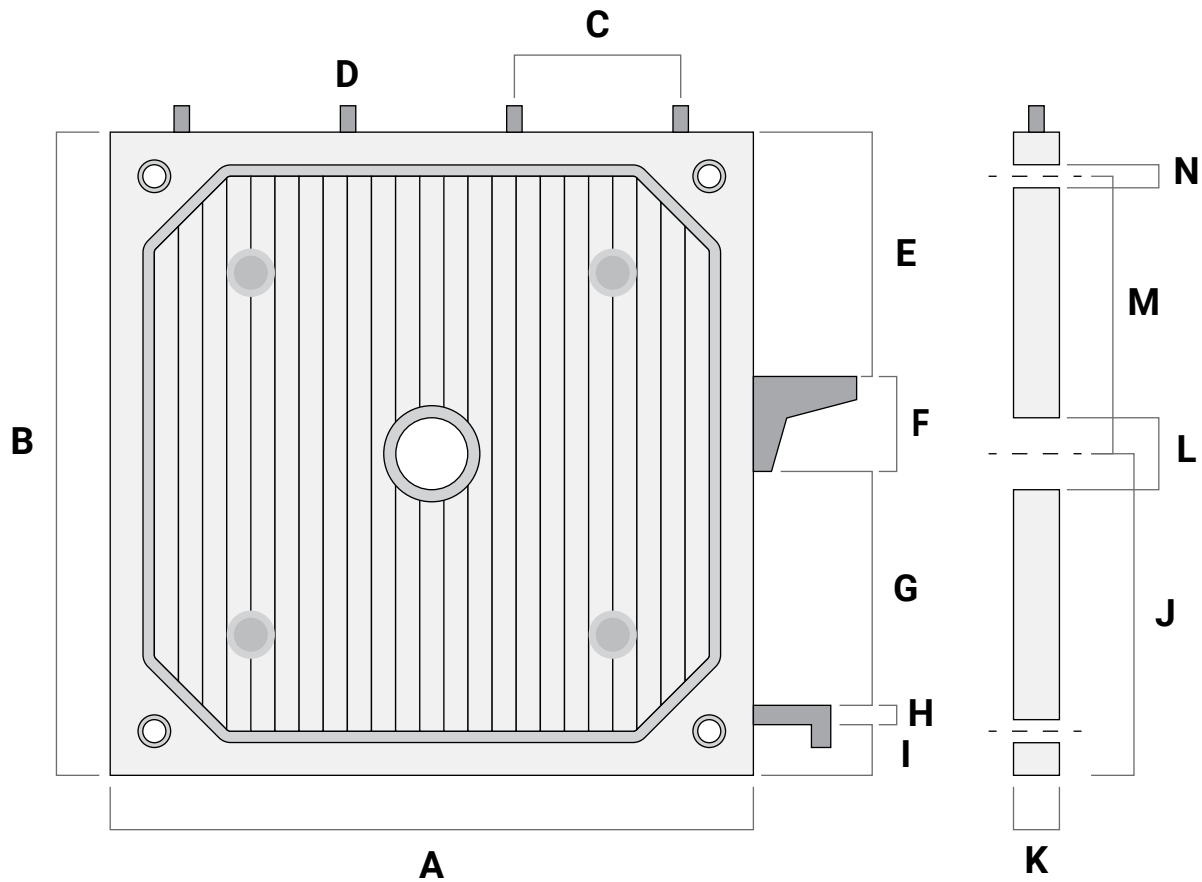
Person in charge :

Phone :

Address:

FILTER PRESS CLOTH

Design of the filter press cloth



Dimensions in mm :

A	Plate width
B	Plate height
C	Distance between centers
D	Numbers of upper studs
E	Distance between the top of the plate and the support
F	Support height
G	Distance between the support and the tap

H	Tap diameter
I	Distance between the tap and the bottom of the plate
J	Distance between the bottom of the plate and the supply channel
K	Plate thickness
L	Supply channel diameter
M	Washing and blowing tapping diameter
N	Distance between the tapping center and the supply channel center

Client information

Client :

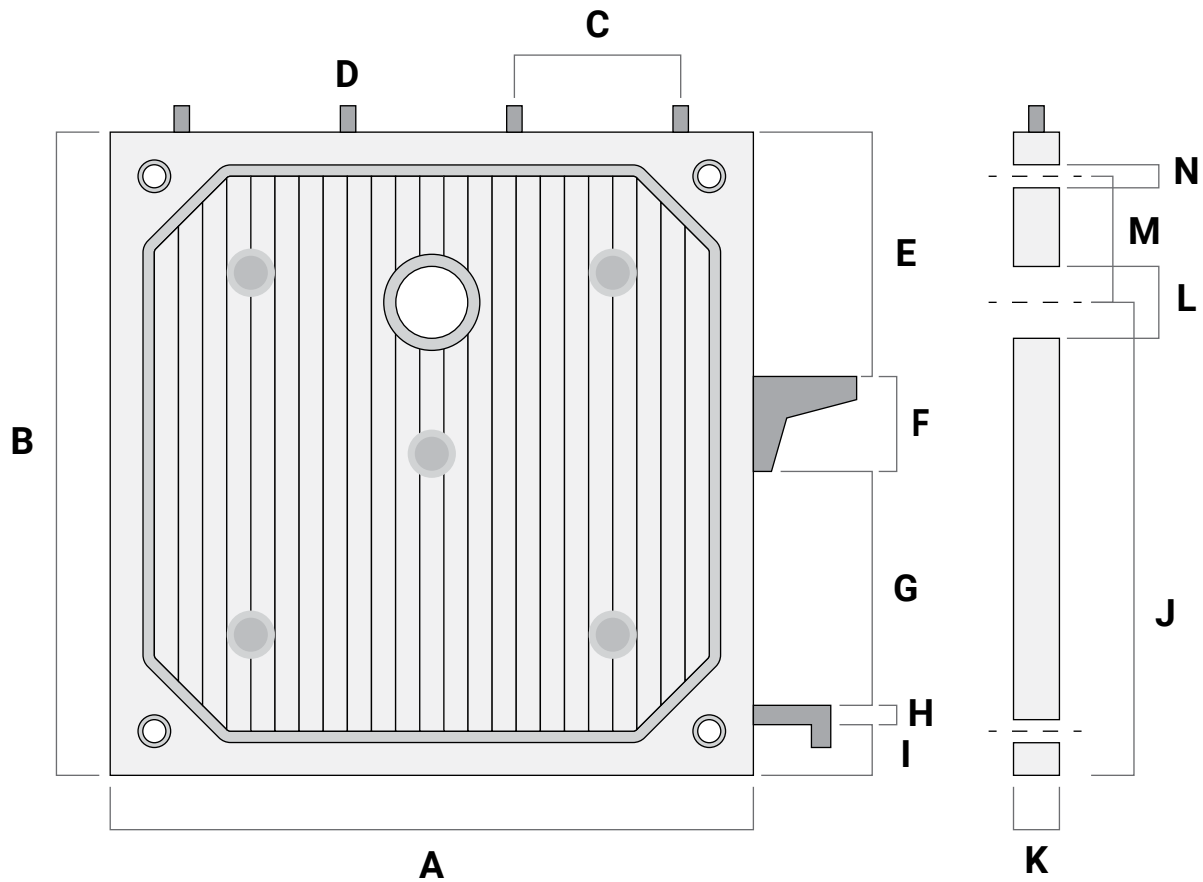
Person in charge :

Phone :

Address:

FILTER PRESS CLOTH

Design of the filter press cloth



Dimensions in mm :

A	Plate width
B	Plate height
C	Distance between centers
D	Numbers of upper studs
E	Distance between the top of the plate and the support
F	Support height
G	Distance between the support and the tap

H	Tap diameter
I	Distance between the tap and the bottom of the plate
J	Distance between the bottom of the plate and the supply channel
K	Plate thickness
L	Supply channel diameter
M	Washing and blowing tapping diameter
N	Distance between the tapping center and the supply channel center

Client information

Client :

Person in charge :

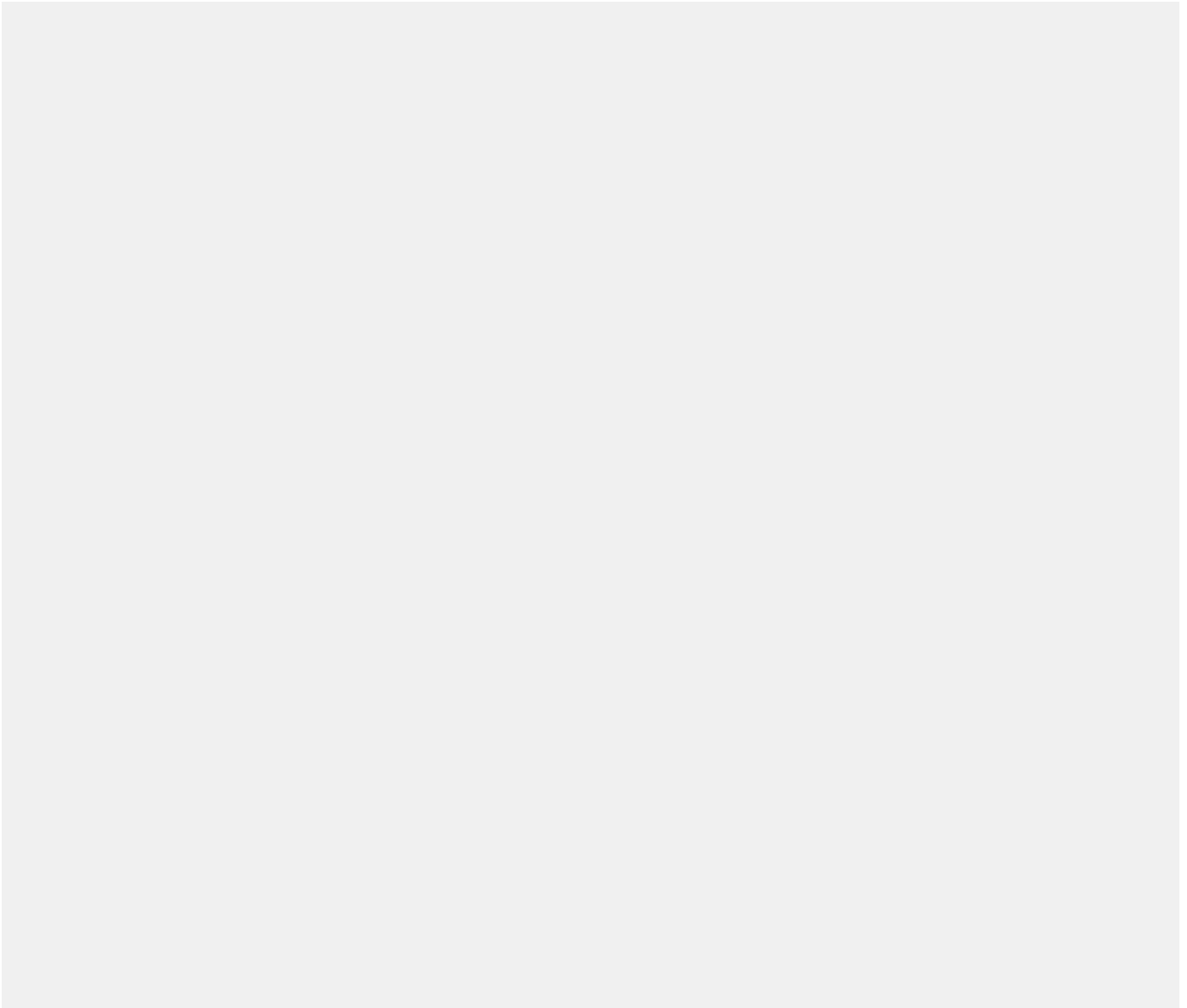
Phone :

Address:

FILTER PRESS CLOTH

Note

If previous versions do not fit your filter, please draw your plate with proper dimensions



Client information

Client :

Person in charge :

Phone :

Address: