

## Cartridge filter with 4 FILTECH™ cartridges, tilt-bolt lid



### Description

QPINOX model from the QUALI-FILTRES range is a large cartridge filter body designed for the industrial sector.

Its molded design incorporates a toggle bolt closure and DN80 or DN100 PN16 flanged connections.

The cover is equipped with a 1/2" BSP connection for mounting a vent valve or a pressure gauge and a 1" connection for mounting the drain valve.

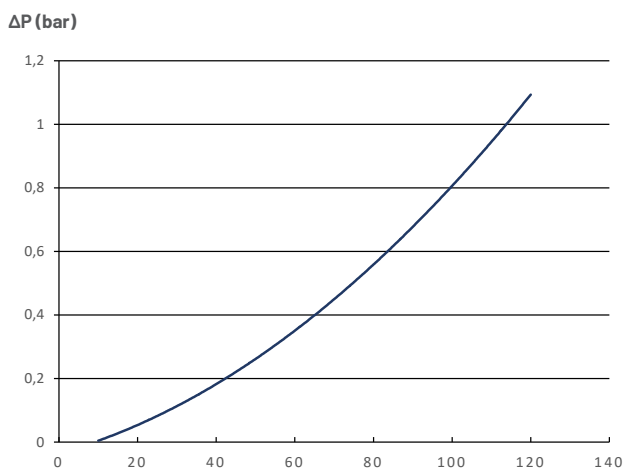
The surface is electropolished for easy cleaning and corrosion resistance. The filter housing accepts 20" and 30" FILTECH™ Highflow cartridges that reduce filtration and service costs.

The very large filter surface area of FILTECH™ Highflow cartridges provides minimal pressure drop and excellent retention capabilities.

### Characteristics & benefits

- Quick closure with tilting bolts (BB) for better pressure resistance.
- Available in 2 materials: 304 or 316L
- Available in 2 heights: 20" and 30".
- The FILTECH™ highflow pleated filter cartridge has a very large filtering surface (2.5 m<sup>2</sup>/10"). See FILTECH™ data sheet.
- Simplified maintenance intervention with L-TECH™ Highflow technology.
- Reduced filtration and intervention costs.
- Filtration rate between 20 and 120 m<sup>3</sup>/h
- Cover seal :
  - QPINOX-JT-EPDM
  - QPINOX-JT-EPDM-ACS
  - QPINOX-JT-EPDM-FPM
  - QPINOX-JT-EPDM-NBR
- Options available upon request :
  - Pressure gauge, drain valve and vent valve in 316L (Ref : SI16443)
  - Possibility of mounting 7 standard QUALITHERM™ or QUALIBOB™ cartridges.
  - Cartridge centering ring in stainless steel 316L (Ref : SI16366)
  - EPDM ACS lip seal : (Ref : SI21656)

**Typical flow rates :** For QPINOX 20", 3" inlet/outlet baffle



Typical initial pressure drop, water at 20°C viscosity 1cP

Flow rate (m<sup>3</sup>/h)

### Service conditions

Conditions of use according to 2014/68/EU

Fluid group	Condition	Temperature	Maximum operating pressure
Non-hazardous fluid	Liquid	-20 à 75 °C	7 bars

## ORDER REFERENCE

Example :



### A / Filter body size

Code	Height
20	20"
30	30"

### C / Materials

Code	Material
304	Stainless Steel 304
316	Stainless steel 316 L

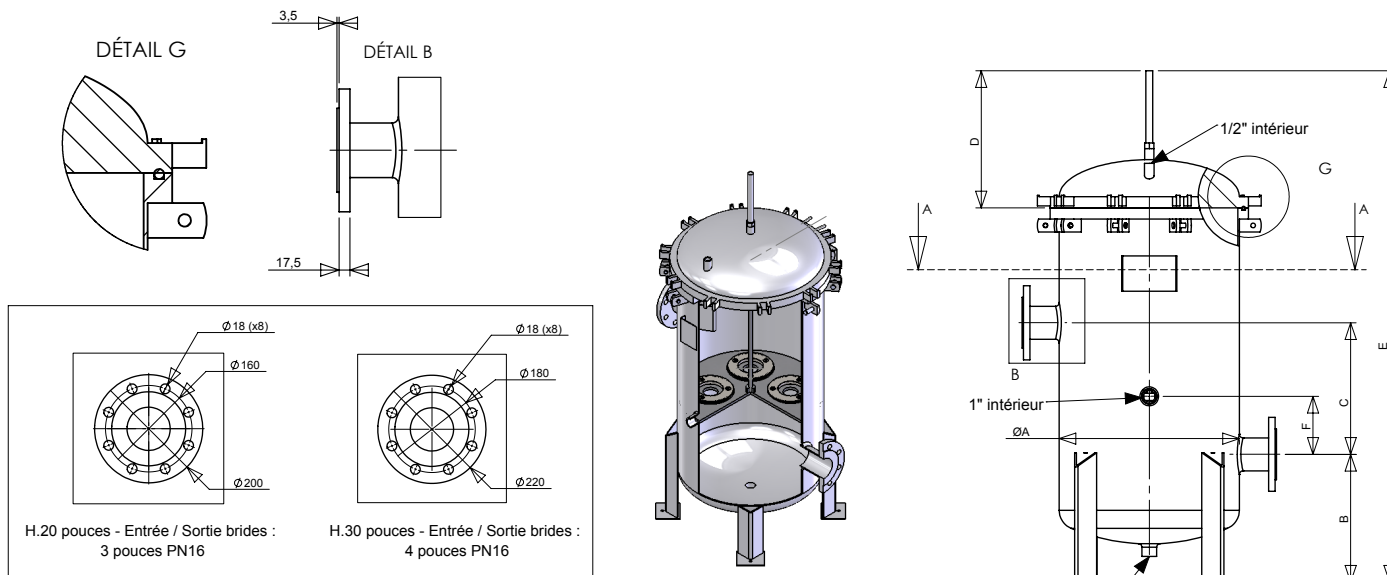
### B / Inlet/Outlet

Code	Type
B50	DN 80 flange
2	DN 100 flange

### D / Seal

Code	Material
E	EPDM
EA	EPDM ACS
V	FPM
N	NBR

## DIMENSIONS (mm)



Model	A	B	C	D	E	F	G	H
QPINOX 20" B80	Ø486	345	355	370	1380	157	281	343
QPINOX 30" B80	Ø486	345	355	370	1630	110	281	343
QPINOX 30" B100	Ø486	345	355	370	1630	110	281	343