

In-line monocardridge filter



Certificates available upon request

- FDA seal of approval according to EN10204 2.1
- Material certificate according to EN10204 3.1
- Hydraulic test certificate according to EN10204 3.1
- Surface roughness certificate according to EN 10204 3.1
- Certificate of order conformity according to EN10204 3.1
- Final inspection certificate according to EN10204 3.1

Conditions of use

Conditions of use according to 2014/68/EU

Fluid group	State	Temperature	Version	Maximum pressure
Non-hazardous fluid	Liquid and gas	-20 à 150°C	P	10 bar
Non-hazardous fluid	Liquid and gas	-20 à 150°C	HP	16 bar

ATEX regulations: II 2 G Ex h IIC T3 Gb and II 2 G Ex h IIC 150°C Db

Description

QFICML models of the Qualifiltres range are in-line monocardridge filter housings designed for liquid and gas filtration applications in the food industry (pharmaceutical version available on request).

All parts in contact with the liquid are made of 316L stainless steel.

This range exists in 2 versions: 10 bars with clamp or 16 bars with bolted clamp.

The design incorporates clamp connections at the inlet and outlet. When ordering, you can choose whether or not to have a vent and side port.

Characteristics & benefits

- Cartridge type code 7 (SOE - 226,fin) and lengths of 5", 10", 20", 30" and 40"
- Sanitary clamp closure for easy handling. Optional bolted clamp collar.
- Internal mirror finish Ra<0.8 µm (32 µin). Ra<0.4 µm (16 µin) finish only downstream available on request
- Exterior mirror polish finish
- Input/output connections: 1.5" clamp
- Presence or not of the drain connection in Clamp 0,5
- Presence or absence of lateral connection in Horsebarb, Staubli RBE 03, Rectus 21, Clamp 0,5
- Seal: EPDM, SILICONE, VITON and PTFE on request
- PED 2014/68/EU: art 4.3 and category 1 group 2 according to code EN13445 (see table of service conditions).
- ATEX 2014/34/EU: Group 2 - Category 2 - gases and dusts - Gas group IIC - zone 1 and 21.
- Complies with regulation (EC) 1935/2004 (food contact).
- Documentation provided: User manual, declaration of conformity.

ORDER REFERENCE

Example :

QFICML - **A** 10 - **B** P - **C** R - **D** 40 - **E** 0 - **F** 0 - **G** R08 - **H** S

A / Filter body size

Code	Height
5	5"
10	10"
20	20"
30	30"
40	40"

B / Maximum pressure

Code	Version
P	8 bar version
HP	16 bar version

C / I/O connection size type

Code	Type
R	Clamp connection

D / I/O connection sizes

Code	Size
40	DN40 - 1,5"

E / Type of side port connection

Code	Type
O	No connection
H	Hosebarb
S	Staubli RBE 04
R	Rectus 22
RR	Clamp 0.5"

F / Type of drain connection

Code	Type
O	No connection
R	Clamp 0.5"

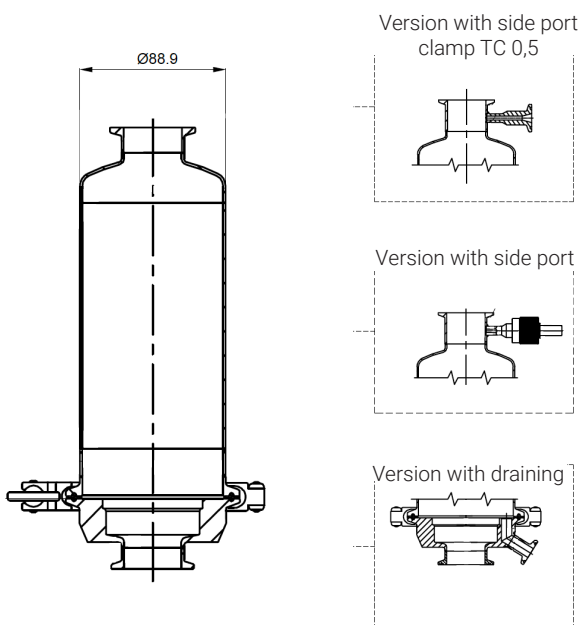
G / Output roughness

Code	roughness
R08	Ra < 0,8 µm
R04	Ra < 0,4 µm

H / Seal

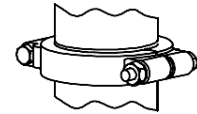
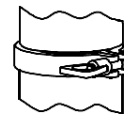
Code	Type
S	Silicone
E	EPDM
V	VITON
P	PTFE

DIMENSIONS (mm)



Clamp closure system

Double bolted collar closure system



Cartridge height	5"	10"	20"	30"	40"
Volume	1.2	1.9	3.4	4.9	6.4
Height +/- 10	256	376	626	876	1126
Height +/- 10 + side port	272	392	642	892	1142