

# QFAP-X100

X100 Bag filter housing - Corrosion Resistant



## X100 Bag filter housing - Corrosion Resistant



### Description

QFAP-X100 filter model from the Quali-filtres range is a bag filter housing for the industrial sector.

Its machined design incorporates a hinged bolt cover for easy handling and sealing.

The filter housing is available with flange or nut connections.

Its polypropylene design makes it highly resistant to chemicals and guarantees a very long service life for the filter housing.

The filter housing accepts Qualipoche QPT X100 bags.

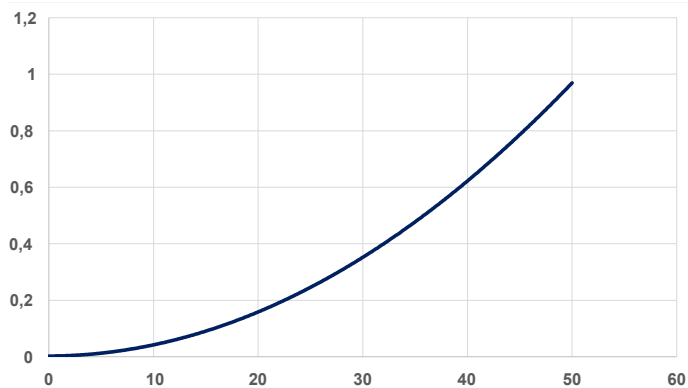
The cover is equipped with a 1" connection for mounting a vent valve or pressure gauge.

### Characteristics & benefits

- Quick closure with eye-bolts (BB) for better pressure resistance.
- Available in polypropylene
- Filter pockets in size X100 with molded ring for improved sealing. See Qualipoche sheet.
- Cover seal : EPDM as standard, FPM on request.
- Options available on request :
  - Pressure gauge
  - Vent valve (EPDM) : SI23543
  - Vent valve (FPM) : SI23544
- Other caps and designs available on request.

### Typical flow rates

$\Delta P$  (bar)



Typical initial pressure drop, water at 20°C viscosity 1cP

Flow rate (m³/h)

### Service conditions

Conditions of use according to 2014/68/EU

Fluid Group	State	Temperature	Maximum operating pressure
Non-hazardous fluid	Liquid	0 à 40 °C	7 bars
		40 à 50 °C	5 bars
		50 à 60 °C	4 bars
		60 à 70 °C	3 bars

# QFAP-X100

X100 Bag filter housing - Corrosion Resistant

## ORDER REFERENCE

Example :



### A / Size

Code	Size
X100	X100 size pocket

### D / Material

Code	Material
PP	Polypropylene

### B / Cover closure

Code	Type
BB	Eye-bolts

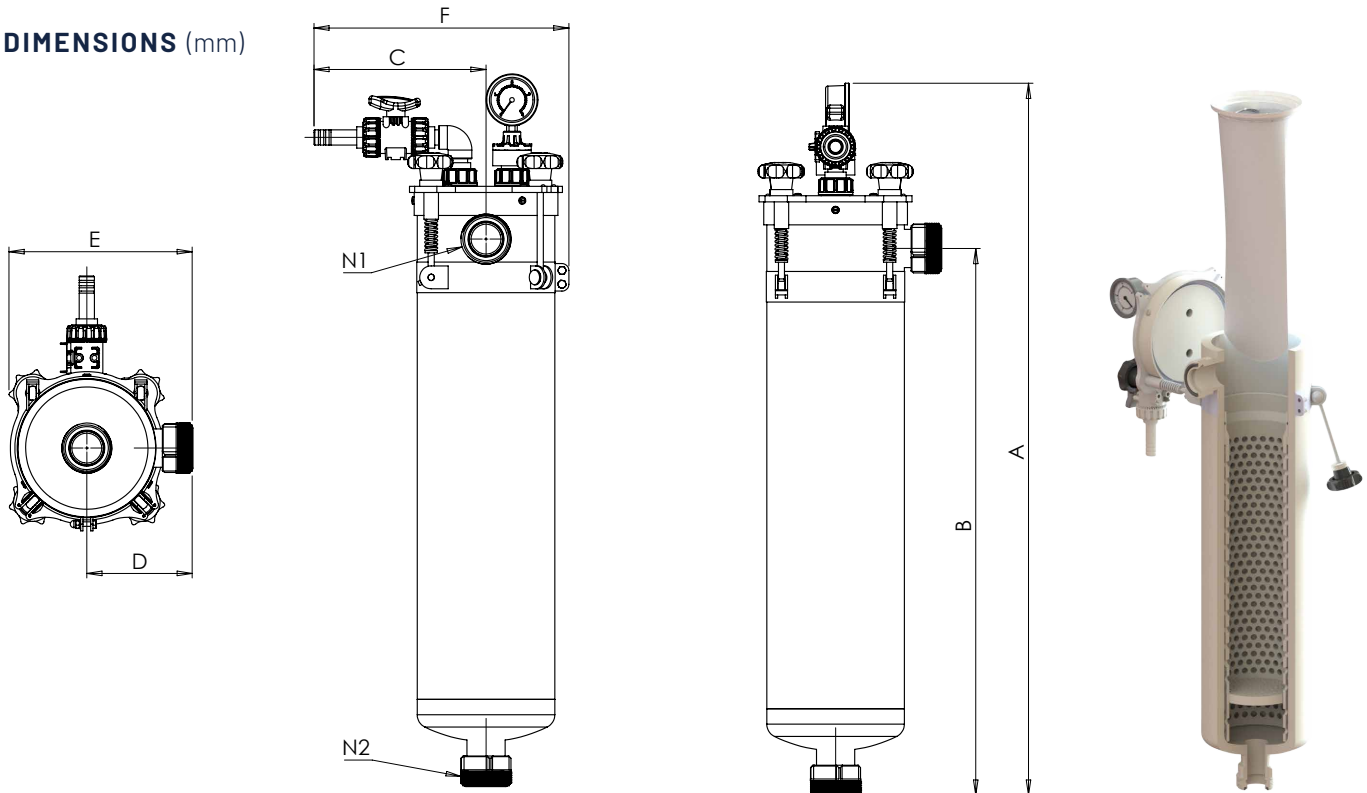
### E / Seals

Code	Type
E	EPDM
EA	EPDM ACS
V	FPM

### C / Input / Output

Code	Type
2P1/4	2"1/4 male threaded union
B40	DN40 flange

## DIMENSIONS (mm)



Model	A	B	C	D	E	F	N1 & N2
QFAP X100	931	715	225	138	240	334	G 2"1/4 ext