

F&B Bag filter housing with eye-bolts



Available options

- Pressure gauge kit : QFAPFB-GAUGE
- Vent + pressure gauge kit : QFAPFB-GAUGE-VALVE
- Drainage kit on optional piping : QFAPFB-DRAIN-VALVE
- MACON53 CLAMP fittings kit : QFAPFB-ENSEMBLE-RACCORDS CLAMP 2" MACON 53

Certificates available upon request

- FDA seal of approval according to EN10204 2.1
- Basic material certificate according to EN 10204 3.1
- Intermediate material certificate according to EN 10204 3.1
- Hydraulic test certificate according to EN10204 3.1
- Surface roughness certificate according to EN 10204 3.1
- Certificate of order conformity according to EN10204 3.1
- Final inspection certificate according to EN10204 3.1

Description

The QFAP-F&B model from the quali-filtres range is a bag filter body designed for liquid filtration applications in the food, pharmaceutical or industrial sectors.

All parts in contact with the liquid are made of 316L stainless steel.

Its molded design incorporates a tilting bolt closure and various types of fittings. The cover is equipped with a 1/2" BSPPF connection for mounting a vent valve or a pressure gauge. The internal and external surfaces are electropolished. The filter body is available for size 20 O-ring or molded pockets (EFS or EAP models) for improved sealing. O-ring bags require the use of a compression spring (Ref: QFAPFB-RESSORT)

Characteristics & benefits

- Size 20 bag filter housing with O-ring or molded ring for improved sealing (EFS or EAP compatible).
- Eye-bolts closure for better pressure resistance and easier handling.
- Fully drainable design. Suitable for CIP and SIP systems.
- Comes with adjustable feet for easy installation and positioning of input/output connections.
- Easy installation thanks to the optional swivel outlet pipe (see drawing 3rd page).
- Inlet/outlet connections: clamp, DIN 11851, flanges (others on request).
- Adapted design for integration on skid or filtration pallet.
- 1/2" BSPPF vent connection integrated in the cover.
- Internal/external electropolished finish with a roughness Ra<0.8µm.
- Different seals available: Silicone, EPDM, Viton, FEP+Silicone.
- PED 2014/68/EU: liquid group 2 according to code EN13445 (see table service conditions) - special versions available on request.
- Complies with regulation (EC) 1935/2004 (food contact).
- Documentation provided: user manual, declaration of conformity.

Conditions of use

Conditions d'utilisation selon 2014/68/EU

Fluid group	Condition	Temperature	Max pressure
Hazardous fluid	Liquid	80°C	3 bar
Non-hazardous fluid	Liquid	90°C	10 bar

ORDER REFERENCE

Example :



A / Filter bag size

Code	Size
20	20

B / Cover closure

Code	Type
BB	Eye-bolts

C / Type of inlet/outlet connection

Code	Type
R50	2" clamp fitting
D50	DIN 11851 DN50 fitting

D / Seal

Code	Type
S	Silicone
E	EPDM
V	FPM (VITON®)
F	FEP + Silicone

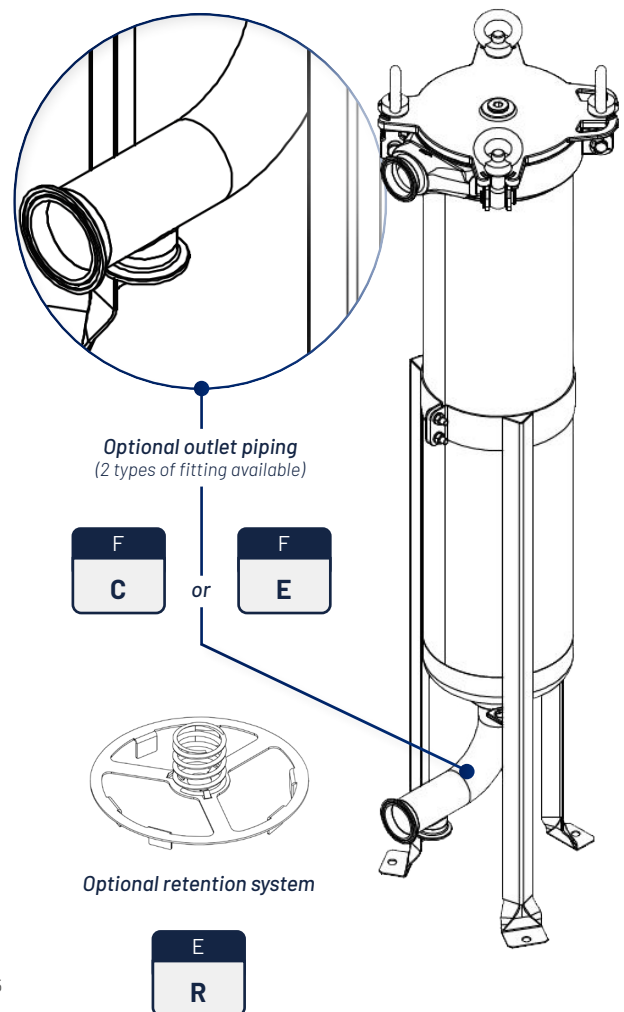
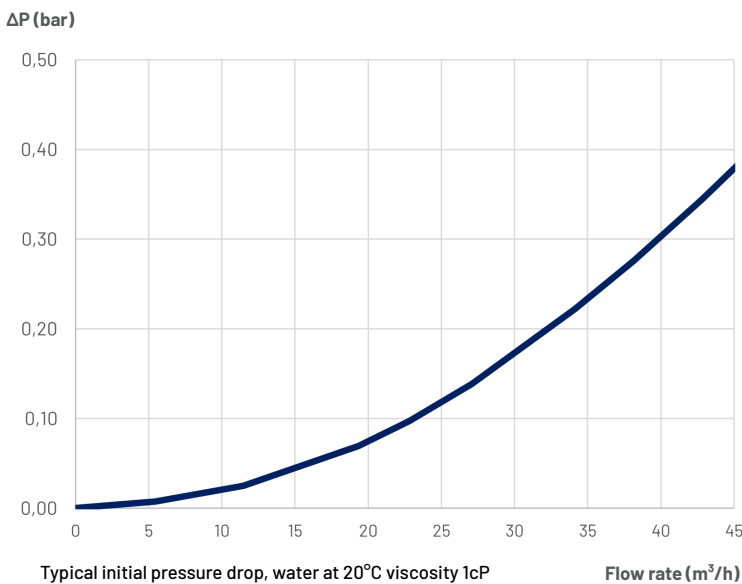
E / Filter bag retention system (optional)

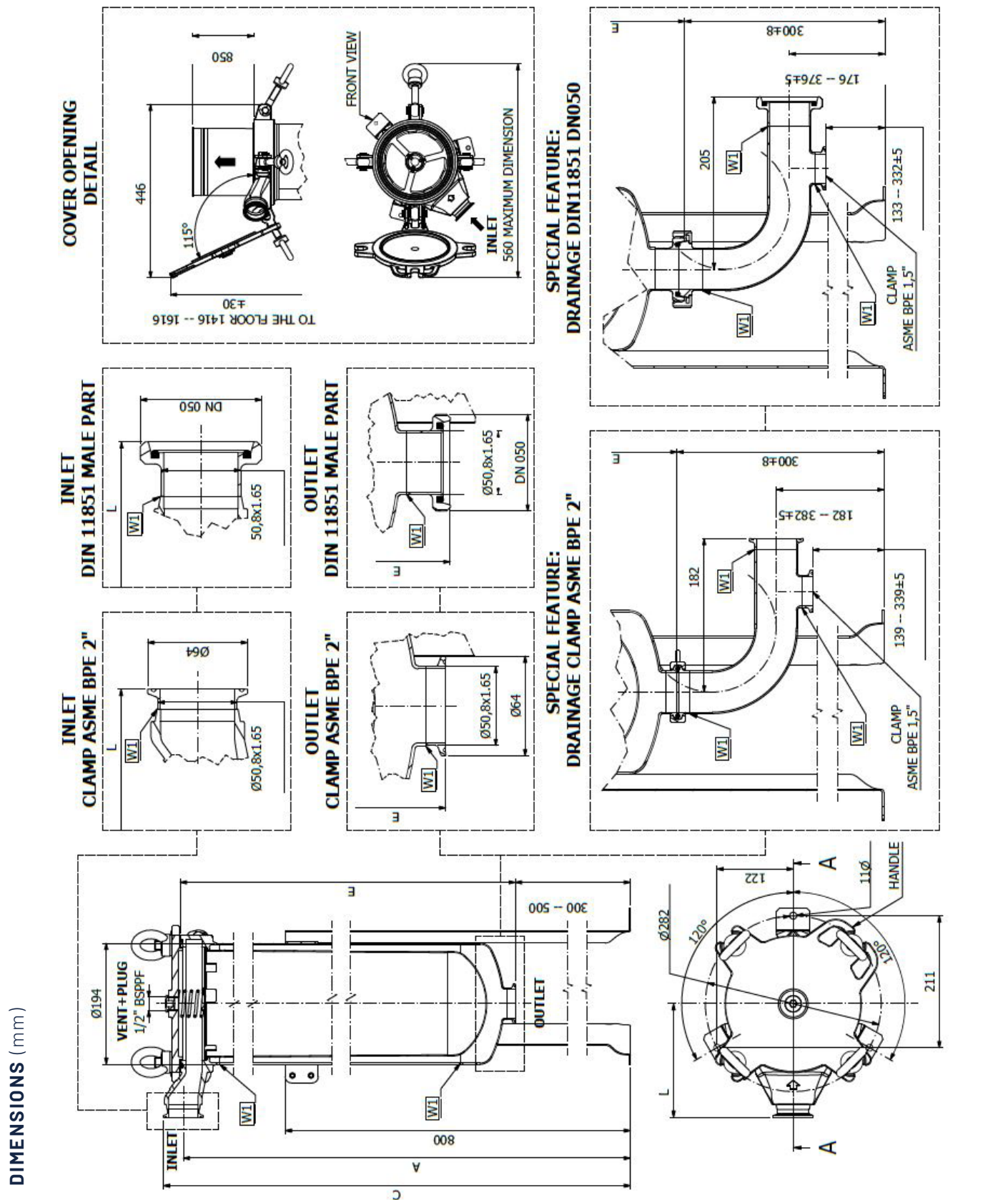
Code	Type
Empty	No retention system
R	Retention system integrated in the filter housing

F / Outlet piping (optional)

Code	Type
Empty	No outlet piping
C	2" clamp curved outlet pipe with drain
E	Curved outlet pipe DIN 11851 DN50 with drain

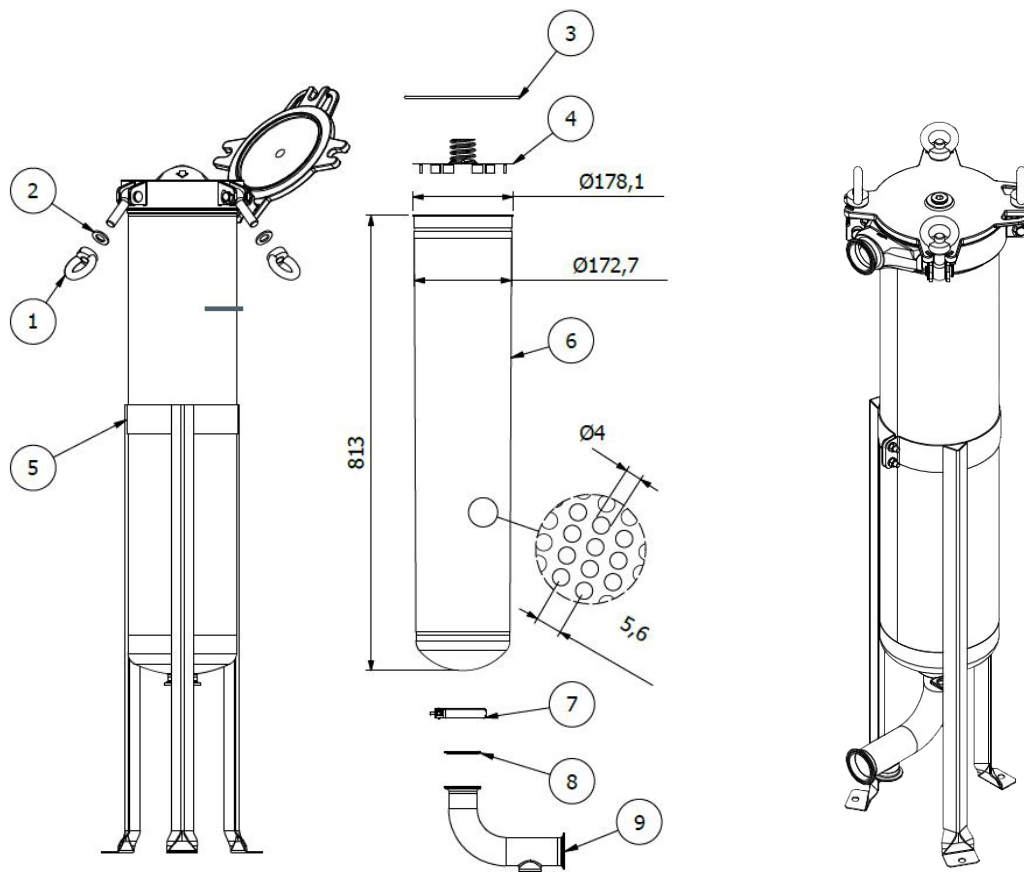
TYPICAL FLOW RATES





Version	A	C	E	L	Weight	Volume
2" clamp fitting	1218 - 1418	1227 - 1427	901	183	25 kg	27 l
DIN 11851 DN50 fitting	1196 - 1396	1257 - 1457	923	204	25 kg	27 l

SPARE PARTS



N°	Description	Material	Reference
1	Lifting lugs	316L	80001049
2	Washer	304	80001263
3	O-ring 05.33x196.22 6775	Silicone	89263S
3	"	EPDM	89263E
3	"	FPM (VITON®)	89263X
3	"	FEP + Silicone	89263P
4	Retaining system	316L	89924
5	Legs	304	80000979
6	Basket	316L	80000929
7	Clamp closure of drainage curve	304	61152
8A	Seal of drainage curve clamp	Silicone	80022S
8A	"	EPDM	80022E
8A	"	FPM (VITON®)	80022X
8A	"	PTFE	80022P
8B	Seal of drainage curve din	Silicone	80053S
8B	"	EPDM	80053E
8B	"	FPM (VITON®)	80053X
8B	"	PTFE	80053P
9A	Drainage curve clamp ASME BPE 2" + Drain clamp ASME BPE 1,5"	316L	85770
9B	Drainage curve DIN11851 DN050 + Drain clamp ASME BPE 1,5"	316L	89560