

QFACP-MONO

Mono-cartridge plastic filter



Corrosion-resistant mono-cartridge filter housing



Description

QFACP-MONO filter model from the Quali-filtres range is a cartridge filter body designed for the industrial sector or for certain critical fine chemical applications.

Its machined design incorporates a swivel nut for easy handling. The filter housing is available with flange or nut connections. The polypropylene or PVDF design provides high chemical resistance and a long service life for the filter housing.

The filter housings accept code 0 (DOE), code 7 (SOE) or code 8 (SOE) cartridges.

The body is equipped with a 1/2" connection for the installation of a pressure gauge and drain valve.

Characteristics & benefits

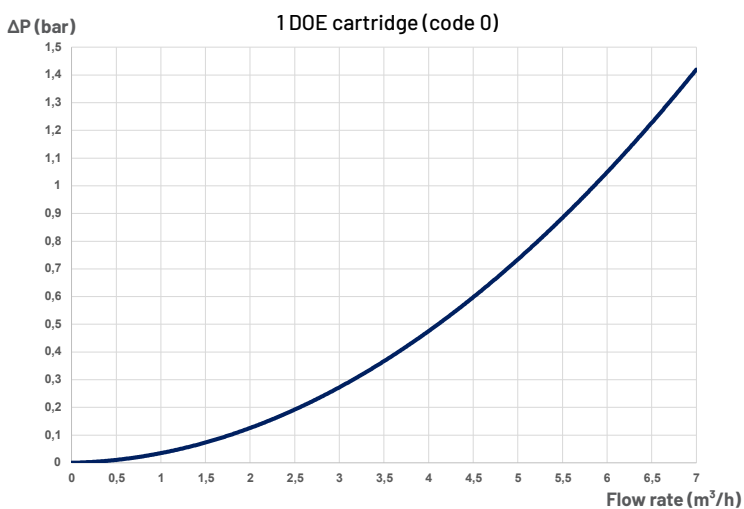
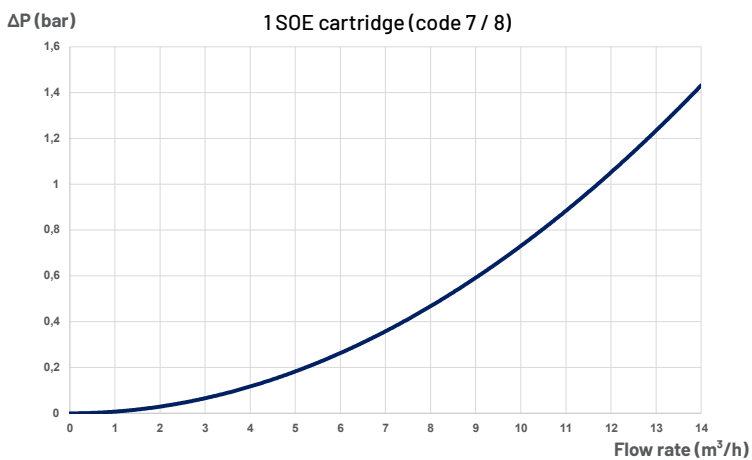
- Mono-cartridge model available in PP or PVDF.
- Compatible with code 0 or code 7 and code 8 cartridges for improved sealing
- Cover seal : EPDM as standard
- Option available on request :
 - Pressure gauge and vent valve
- Other caps and designs available on request

Service conditions

Conditions of use according to 2014/68/EU

Fluid group	State	Temperature	Maximum operating pressure
Non-hazardous fluid	Liquid	30 °C	10 bars
		40 °C	8 bars
		60 °C	5 bars
		70 °C	3 bars

Typical flow rates :



ORDER REFERENCE

Example :



A / Cartridges amount

Code	Amount
1	1 cartridge

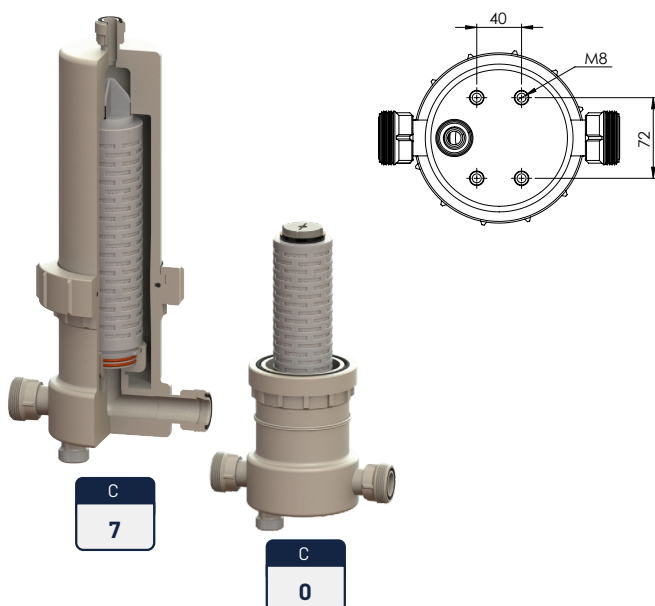
B / Filter housing size

Code	Size
10	10"
20	20"
30	30"
40	40"

C / Cartridge type

Code	Type
0	DOE cartridge - double opening
7	SOE cartridge: single opening with 2 O-rings 2.226. + bayonet and point closure at the other end
8	SOE cartridge - Single opening with external 222 O-rings, other end flat

DIMENSIONS (mm)



D / Inlet/Outlet

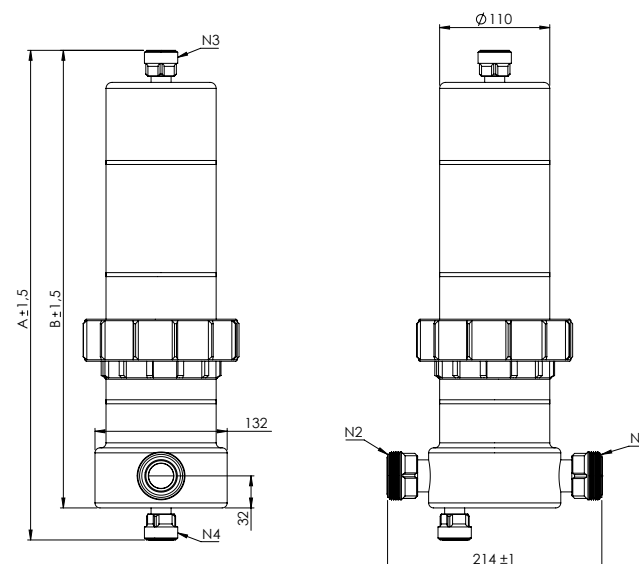
Code	Type
1P1/2	1"1/2 male threaded piece
B25	DN25 flange

E / Material

Code	Material
PP	Polypropylene
PVDF	Polyvinylidene fluoride

F / Seal

Code	Type
E	EPDM
V	FPM



Model	A	B	N1 & N2	N3 & N4
QFACP 10"	489	457	G 1"1/2 ext	G 1" ext
QFACP 20"	738	706	G 1"1/2 ext	G 1" ext
QFACP 30"	988	956	G 1"1/2 ext	G 1" ext