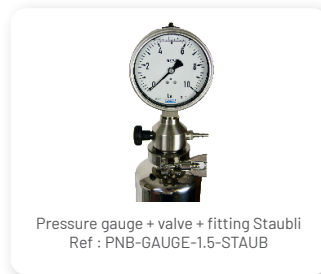


## Mono or multicartridge sanitary filter



### Available options



### Certificates available upon request

- FDA seal of approval according to EN10204 2.1
- Basic material certificate according to EN 10204 3.1
- Intermediate material certificate according to EN 10204 3.1
- Hydraulic test certificate according to EN10204 3.1
- Surface roughness certificate according to EN 10204 3.1
- Certificate of order conformity according to EN10204 3.1
- Final inspection certificate according to EN10204 3.1

### Description

QUALI-SAN PHARMA models of the Qualifiltres range are mono or multicartridge filter bodies designed for liquid filtration applications in the pharmaceutical industry with high pressure and temperature constraints.

All parts in contact with the liquid are made of 316L stainless steel.

### Characteristics & benefits

- From 1 to 8 cartridges of type code 7 (SOE - 226,fin) and lengths 10", 20", 30" and 40".
- Safety tilting bolt closure from the 3 cartridges version.
- Closing by double bolted clamp for the mono-cartridge version.
- Fully drainable design. Suitable for CIP and SIP systems.
- Comes with adjustable feet for easy installation and positioning of input/output connections (from 3 cartridges).
- Inlet/outlet connections: Triclamp, DIN 11851, welded and flanged (others on request).
- Presence or absence of drain connection: Triclamp 0,5", DIN 11851 or flanges.
- Triclamp vent connection, DIN11851 or flanges.
- Side port available on Triclamp vent fitting (Hosebarb, Staubli RBE03, Rectus 21 and Clamp 0,5").
- Internal mechanical polish finish Ra<0.8 µm (32 µin) as standard. Ra<0.4 µm (16 µin) finish or electropolishing available on request.
- Exterior mirror polish finish.
- Different seals available: Silicone, EPDM, Viton, FEP+Silicone.
- 100% of the cartridge nests are tested and verified before shipping.
- PED 2014/68/EU: liquids and gases groups 1 and 2 according to code EN13445 (see table service conditions).
- ATEX 2014/34/EU: Group 2 - Category 2 - gases and dusts - Gas group IIC - zone 1 and 21.
- Complies with regulation (EC) 1935/2004 (food contact).
- Documentation provided: user manual, declaration of conformity.

### Conditions of use

According to the standard 2014/68/EU

	State	Temperature	Maximum pressure
<b>Non-hazardous fluid</b>	Liquide et gaz	-20 à 150°C	10 bar
<b>Hazardous fluid</b>	Liquide et gaz	-20 à 150°C	10 bar

ATEX regulations: II 2 G Ex h IIC T3 Gb and II 2 G Ex h IIC 150°C Db

## ORDER REFERENCE

Example :



### A / Filter body size

Code	Height
10	10"
20	20"
30	30"
40	40"

### B / Amount of cartridge

Code	Amount
1	1 cartridges
3	3 cartridges
5	5 cartridges
8	8 cartridges

### C / Type of I/O connection

Code	Material
D	Male union DIN 11851
R	Clamp fitting
W	Weld-on tips
FE	Flange EN 1092-1
FB	Flange EN 11864-2

### D / I/O connection dimensions

Code	Dimensions	Standard	Upon request
25	DN 25	1 cartridges	3 cartridges
40	DN 40	3 cartridges	1-5-8 cartridges
50	DN 50	5-8 cartridges	-
65	DN 65	-	8 cartridges
80	DN 80	-	8 cartridges

### E / Vent connection type

Code	Type
R	Clamp TC 1,5
B	DIN 11851 DN25
FE	Flanges EN 1092-1 DN20
RH	Clamp 1,5" + Hosebarb
RR	Clamp 1,5" + Rectus 21
RS	Clamp 1,5" + Staubli RBE03
RRR	Clamp 1,5" + Clamp 0,5"

### F / Type of draining connection

Code	Type
0	No draining
R	Clamp TC 1,5"
B	DIN 11851 DN26
FE	Flanges EN 1092-1

### G / Roughness

Code	Description
R08	Mechanical polishing Ra < 0.8 µm
R04	Mechanical polishing Ra < 0.4 µm
E	Electropolishing

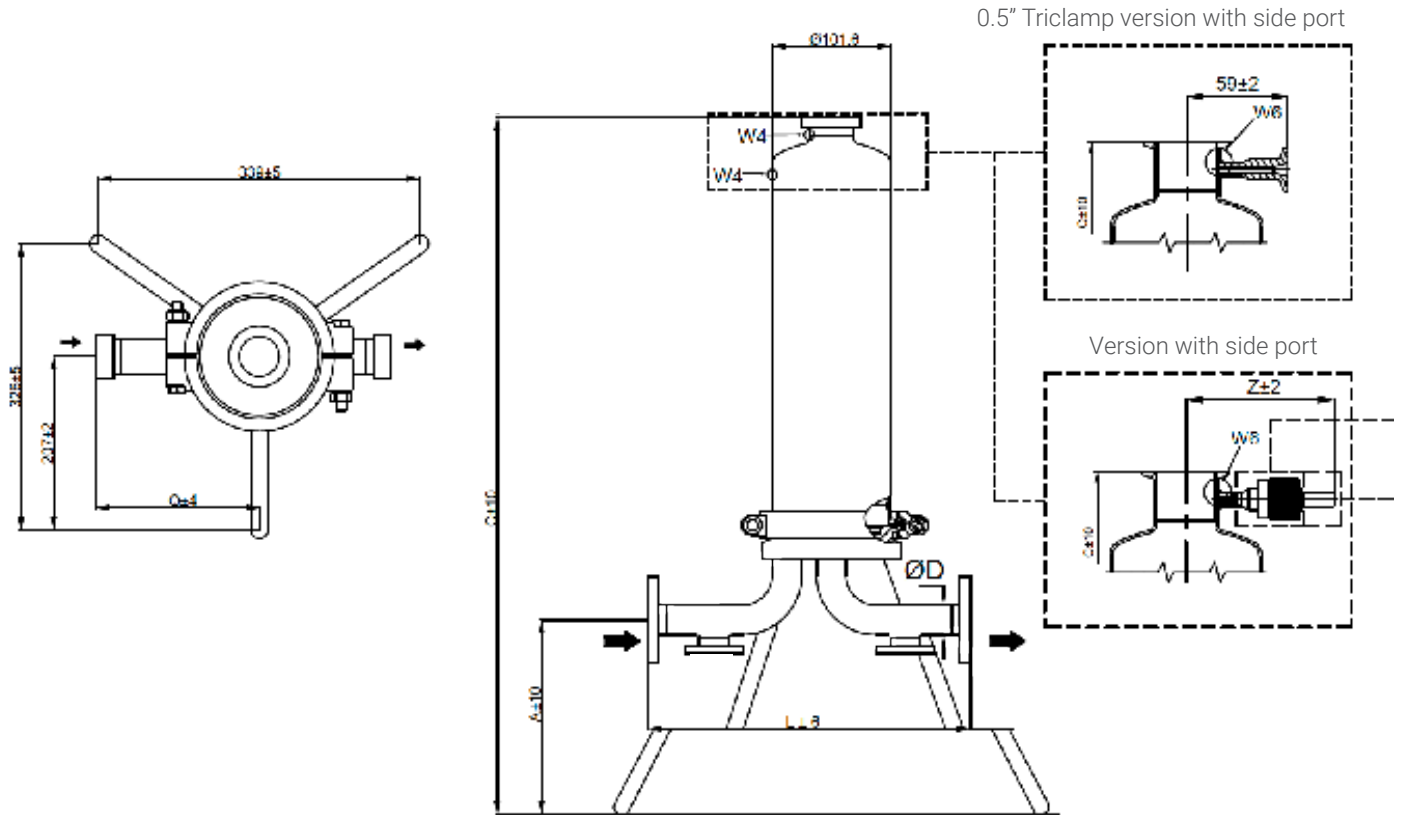
### H / Cartridge type

Code	Type
7	SOE cartridge: single opening with 2 O-rings 2.226. + bayonet and point closure at the other end

### I / Seal

Code	Type
S	Silicone
E	EPDM
V	VITON
P	FEP + Silicone

**DIMENSIONS (mm)**



Plans available on request according to fittings

Amount of cartridge x Height	C	A	L	Ø	Volume	PED category
01 x 10"	790	375	327	182	3.0	I
01 x 20"	1040	375	327	182	4.8	I
01 x 30"	1290	375	327	182	6.7	II
01 x 40"	1540	375	327	182	8.6	II